

FRONIUS IG 15 / 20 / 30 / 40 / 60 / 60 HV

Operating Instructions

Grid-connected inverters for
photovoltaic systems

EN



Dear Reader


Introduction

Thank you for choosing Fronius - and congratulations on your new, technically high-grade Fronius product! This instruction manual will help you get to know your new machine. Read the manual carefully and you will soon be familiar with all the many great features of your new Fronius product. This really is the best way to get the most out of all the advantages that your machine has to offer.


Please also take special note of the safety rules - and observe them! In this way, you will help to ensure more safety at your product location. And of course, if you treat your product carefully, this definitely helps to prolong its enduring quality and reliability - things which are both essential prerequisites for getting outstanding results.

Safety rules


DANGER!

 “**DANGER!**” indicates an imminently hazardous situation which, if not avoided, will result in death or serious injury. This signal word must be limited to the most extreme situations. This signal word is not used for hazards relating to property damage unless there is also a risk of personal injury appropriate to this level.


WARNING!

 “**WARNING!**” indicates a potentially hazardous situation which, if not avoided, could result in death or serious injury. This signal word is not used for hazards relating to property damage unless there is also a risk of personal injury appropriate to this level.

CAUTION!

 “**CAUTION!**” indicates a potentially hazardous situation which, if not avoided, may result in minor or moderate injury. It may also be used to draw attention to unsafe practices that may cause damage to property.

NOTE!

 “**NOTE!**” indicates a situation which implies a risk of impaired results and damage to the equipment.

Important!

“**Important!**” indicates practical hints and other particularly useful information. It is not a signal word for a harmful or dangerous situation.

Whenever you see any of the symbols shown above, pay close attention to the contents of the manual!

General Remarks



This equipment has been manufactured in accordance with the state of the art and general safety-engineering principles. Nevertheless, incorrect operation or misuse may still endanger

- the life and well-being of the operator or of third parties,
- the equipment and other tangible assets belonging to the owner/operator,
- working efficiently with the equipment.

All persons involved in any way with starting up, servicing and maintaining the equipment must

- be suitably qualified
- have good knowledge of dealing with electrical installations and
- read this instruction manual thoroughly and follow the instructions to the letter.

The instruction manual must be kept at the machine location at all times. In addition to the instruction manual, it is important to comply with both the generally applicable and local accident prevention and environmental protection regulations.

All the safety instructions and warning signs on the machine itself:

- must be kept in a legible condition
- must not be damaged, must not be removed
- must not be covered, pasted or painted over

General Remarks
(continued)

For information about where the safety instructions and warning signs are located on the machine, please refer to the section of your machine's instruction manual headed "General Remarks".

Any malfunctions which might impair machine safety must be remedied immediately before the machine is switched on.

Your safety is at stake!

Utilisation for Intended Purpose Only



The machine may only be used for jobs as defined by the "intended purpose".

Utilisation for any other purpose, or in any other manner, shall be deemed "not in accordance with the intended purpose". The manufacturer shall not be liable for any damage resulting from such improper use.

Utilisation in accordance with the "intended purpose" also comprises

- thorough reading of and compliance with all the instructions, safety instructions and warnings given in this manual
- performing all stipulated inspection and servicing work
- installation in accordance with the instruction manual

Where appropriate, the following guidelines should also be applied:

- regulations of the power supply company for input to the grid
- information provided by the manufacturer of the solar modules

Ambient Conditions



Operation or storage of the machine outside the stipulated range is deemed "not in accordance with the intended use". The manufacturer shall not be liable for any damage resulting therefrom.

Please refer to the technical data in your instruction manual for accurate information about the permissible ambient conditions.

Qualified Staff



The servicing information provided in this instruction manual is only intended for qualified staff. An electric shock can be fatal. Please do not carry out any activities other than those referred to in the documentation. This also applies even if you are suitably qualified.



All cables and other leads must be firmly attached, undamaged, properly insulated and adequately dimensioned. Have loose connections, scorched, damaged or under-dimensioned cables and wires repaired immediately by an authorised specialist company.



Maintenance and repair may only be carried out by an authorised specialist company.

There is no guarantee in the case of parts sourced from other suppliers that these parts have been designed and manufactured to cope with the stresses and safety requirements that will be placed on them. Use only original spare parts (this also applies to standard parts).

Do not carry out any alterations, installations or modifications to the machine without first getting the manufacturer's permission.

Replace immediately any components that are not in perfect condition.

Safety Precautions at the Machine Location

Ensure when installing machines with cooling-air vents that the cooling air can flow freely through the air vents without obstruction. Only operate the machine with the degree of protection specified on the rating plate.

Information on noise emission values



The inverter generates a maximum sound power level of <80 dB(A) (ref. 1pW) when operating under full load in accordance with IEC 62109-1.

The device is cooled as quietly as possible with the aid of an electronic temperature control system, and depends on the amount of converted power, the ambient temperature, the level of soiling of the device, etc.

It is not possible to provide a workplace-related emission value for this device because the actual sound pressure level is heavily influenced by the installation situation, the power quality, the surrounding walls and the properties of the room in general.

EMC device classifications



Devices with emission class A:

- are only designed for use in an industrial setting
- can cause conducted and emitted interference in other areas.

Devices with emission class B:

- satisfy the emissions criteria for residential and industrial areas. This also applies to residential areas in which power is supplied from the public low-voltage grid.

EMC device classification as per the rating plate or technical specifications

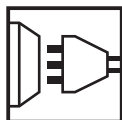
EMC measures



In certain cases, even though a device complies with the standard limit values for emissions, it may affect the application area for which it was designed (e.g. when there is sensitive equipment at the same location, or if the site where the device is installed is close to either radio or television receivers).

If this is the case, then the operator is obliged to take appropriate action to rectify the situation.

Mains connection



High-performance devices (> 16 A) can affect the voltage quality on the mains network because they can feed powerful current into the main supply.

This may affect a number of types of device in terms of:

- connection restrictions
- criteria with regard to maximum permissible mains impedance ^{*)}
- criteria with regard to minimum short-circuit power requirement ^{*)}

^{*)} at the interface with the public mains network

see Technical Data

In this case, the plant operator or the person using the device should check whether or not the device is allowed to be connected, where appropriate through discussion with the power supply company.

Electrical Installations



Electrical installations may only be executed in accordance with the relevant national and regional standards and specifications.

ESD Protective Measures



Danger of damage to electronic components due to electrostatic discharge. Take appropriate protective measures when replacing and installing the components.

Safety Precautions in Normal Operation



Only operate the machine if all its protective features are fully functional. If any of the protective features are not fully functional, there is a danger to:

- the life and well-being of the operator or other persons
- the equipment and other tangible assets belonging to the owner/operator
- working efficiently with the equipment.

Have any safety features that are not fully functional repaired by an authorised specialist company before switching the machine on again.

Never bypass or disable safety features.

Safety markings



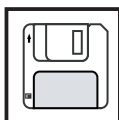
Equipment with the CE mark fulfils the basic requirements of the Guideline Governing Low-Voltage and Electromagnetic Compatibility. (More detailed information about this may be found in the Annex or in the section of your documentation headed "Technical Data".)

Disposal



Do not dispose of this device with normal domestic waste!
To comply with the European Directive 2002/96/EC on Waste Electrical and Electronic Equipment and its implementation as national law, electrical equipment that has reached the end of its life must be collected separately and returned to an approved recycling facility Any device that you no longer require must be returned to our agent, or find out about the approved collection and recycling facilities in your area.
Ignoring this European Directive may have potentially adverse affects on the environment and your health!

Data security



The user is responsible for backing up data relating to changes made to factory settings. The manufacturer will not accept liability if personal settings are deleted.

Copyright



Copyright to this instruction manual remains the property of the manufacturer.

The text and illustrations are all technically correct at the time of going to print. The right to make modifications is reserved. The contents of the instruction manual shall not provide the basis for any claims whatever on the part of the purchaser. We should be most grateful for your comments if you have any suggestions for improvement, or can point out to us any mistakes which you may have found in the manual.

Table of Contents

Safety of persons	4
Safety	4
Housing unit	4
Galvanic insulation	4
Monitoring the electrical mains network	4
Photovoltaic generator	5
Mains connection	5
DC plugs	5
AC plugs	5
The Safety Concept	6
Standards and Regulations	6
Conformity Declaration	6
General Introduction	7
How a photovoltaic system works	7
General information	7
Your roof is your power generator	7
Electricity is converted under the roof	8
The FRONIUS IG Unit in the Photovoltaic System	9
General information	9
Transforming DC into AC electricity	9
Fully automatic operation management	9
Voltage transformation and galvanic insulation	9
Monitoring the mains network	10
Display function and data communication	10
Your advantage	11
Product description	12
The FRONIUS IG Unit	12
How it functions	12
Startup phase	12
Overview for FRONIUS IG (for indoor housing)	14
Overview for FRONIUS IG Outdoors	15
LED for operating status	16
Operating scheme	18
The Display	18
General information	18
Functions of the keys	18
Symbols	18
Navigating in the Display	19
Display illumination	19
Menu level	20
Select display mode	20
Scrolling between display functions	21



Display Modes	21
Scheme of display modes	21
Scheme of display readings	22
Display mode „Now“	23
Display mode „Day / Year / Total“	26
The Setup Menu	29
List of menu items	29
Display mode „Setup“	30
Enter the setup menu	30
Scroll among menu items	30
Setting the menu items	31
Additional information	41
Upgrading the system	41
Forced ventilation	42
Installation manual	43
Open the housing	44
FRONIUS IG (installation of the indoor housing)	44
FRONIUS IG Outdoors	45
Installation	46
Choosing the location general	46
Choosing the location - indoor housing	46
Choosing the location - outdoor housing	47
Fixing the wall mounting frame for indoor housing	48
Fixing the wall mounting frame for FRONIUS IG Outdoors	49
Connection	52
Connection to the Solar Modules and to the Public Mains	52
Solar modules	52
Mains network monitoring	52
Schemes with more than one inverter	52
AC-side overcurrent protection	53
Connection alternatives	53
1. Terminal block	53
2. DC plug	54
3. AC plug connection and DC plug	55
4. FRONIUS IG Outdoors	57
Start up Operation	59
Configuring your Inverter	59
Factory pre-set configuration	59
Your personal configuration	59
LocalNet	60
System upgrading /slot-in board system	60
Data recorder	60
COM Card	60
Insert slot-in boards, FRONIUS IG (Installation for indoor housing)	61

Configuration.....	62
Example	62
Status diagnosis and repair	64
Service-Codes Displayed	64
Service display	64
General service codes	64
Complete failure	65
FRONIUS IG with several power stage sets	65
Class 1	66
Class 2	67
Class 3	68
Class 4	69
Class 5	71
Customer service	72
Annex	73
Technical Data	73
Fronius IG 15 / 20 / 30	73
Fronius IG 40 / 60 / 60 HV	74
Our product complies with the following standards and regulations	75
Warranty and Liability	76
Fronius manufacturer's warranty	76
Maintenance and disposal of obsolete equipment	76
Maintenance	76
Recycling	76
EC-Declaration of conformity	77

Safety of persons

Safety



Warning! Incorrect operation and work performed incorrectly can cause serious injury & damage! Only qualified staff are authorized to put your FRONIUS IG unit into operation and only within the scope of the respective technical regulations. Do not start operation or carry out maintenance works before you have read the chapter „Safety Conditions“!

Housing unit

Only qualified installers are authorized to open the connection area.

Opening the connection area is only permitted when it is not under voltage.

The separately insulation encased power stage shall only be opened when not under voltage and only by Fronius-trained service staff.

Galvanic insulation

The design and function of the FRONIUS IG unit offer a maximum of safety, both during installation as well as in operation. A complete galvanic insulation between DC and AC side guarantees maximum safety.

The FRONIUS IG takes over the tasks of galvanic insulation and network monitoring. The passive and active measures for the protection of persons and equipment are understood by this.

Monitoring the electrical mains network

Whenever conditions in the electric mains network are inconsistent with standard conditions (for example mains switch-off, interruption), your FRONIUS IG unit will immediately stop operating and interrupt the supply of power into the mains.

Your FRONIUS IG unit can monitor the situation in the mains in several ways, by

- monitoring voltage
- monitoring cycle frequency
- ENS (optional)

The ENS option is compulsory in only a few countries, and only for them the FRONIUS IG unit is available with this option. In any case however will the monitoring and safety systems integrated in the FRONIUS IG unit be available as standard equipment.

Monitoring the electric mains network

(continued)

The permanent ENS mains monitoring scheme is an additional link in its safety chain. One of the signs by which ENS identifies abnormal situations in the mains is a sudden increase of the impedance in the mains network.

Both the permanent mains monitoring by your FRONIUS IG unit directly as well as ENS make sure that in case of a mains blackout (due to being switched off by the utility company or due to a defect in the transmission line) it stops feeding power into the mains.

This scheme definitely prevents dangerous voltages at the AC lines and constitutes an essential contribution towards avoiding hazards for the maintenance staff.

Photovoltaic generator

Before connecting the solar modules, you must check whether the voltage parameters laid down in the manufacturer's data correspond with reality.

When checking the voltage reading, please take into account that solar modules supply a higher no-load voltage when temperatures are low and insolation remains unchanged.

At an outside temperature of -10 degrees centigrade the no-load voltage of the solar modules must in no case exceed 500 V - or 530 V for the IG 60 HV. The data sheet of the solar module will tell you the temperature factors applicable for ascertaining the theoretical no-load voltage at -10 degrees centigrade.

In case the solar modules exceed a no-load voltage of 500 V - or 530 V for the IG 60 HV - the FRONIUS IG unit will be completely damaged and all warranty rights will cease to exist.

Mains connection

Only a licenced electricity installer is authorized to carry out the connection works to the public mains network.

DC plugs



Note! If DC plugs are provided, they must never be disconnected from the sockets of the solar modules as long as the FRONIUS IG unit is feeding power into the mains. Before disconnecting the DC plug you must always disconnect in the fuse for the house distribution.

AC plugs



Note! Disconnect AC plug connections only when the equipment is not under voltage, after having disconnected the fuse for the in-house distribution panel.

The Safety Concept

Standards and Regulations Your FRONIUS IG unit complies with all applicable standards and regulations.

They comprise in particular:

- Guideline 89/336/EEC electromagnetic compatibility
- Guideline 93/68/EEC CE-marking
- European standards EN 50 081-1, EN 50 082-2, EN 61 000-3-2
- „Guideline for parallel operation of self-owned photovoltaic generating systems with the low voltage mains network of the utility supply company“, issued by the Association of German Electric Utility Supply Companies (VDEW)
- „Technical Guidelines for parallel operation of self-owned photovoltaic generating systems with the low voltage mains network of the utility supply company“, issued by the Association of Electric Utility Supply Companies of Austria
- „Safety requirements for photovoltaic energy generation plants“ (ÖNORM/ÖVE E2750), to the extent that these regulations are applicable for the inverter.

Conformity Declaration The respective conformity declarations you will find in the appendix to these operating instructions.

General Introduction

How a photovoltaic system works

General information

The energy from worldwide insolation amounts to a total of about 1,540,000,000,000,000,000 kWh/year (1,540 Peta kWh/year). This is 15.000 times as much as the electricity consumption worldwide. We congratulate you on your decision to actively use world's biggest energy pool. By the way, it was a scientist in the field of physics, Alexandre-Edmond Becquerel, who first discovered the photo-voltaic effect in 1839. The name photo-voltaic comes from the driving force behind this technology, which is the ray of light. The ray of light consists of unimaginably tiny particles, the photons.

Your roof is your power generator

Let us simply start our explanation with a straight silicon solar cell. Remembering our physics class in school, we know that there are four electrons in the outside electron shell of a silicon atom arranged around its atomic nucleus, they are the so-called peripheral valency electrons. The sunlight's photons enter the solar cells and concentrate energy in the valency electrons. The electron eventually separates from the silicon atom and leaves behind it an atom with a positive charge.

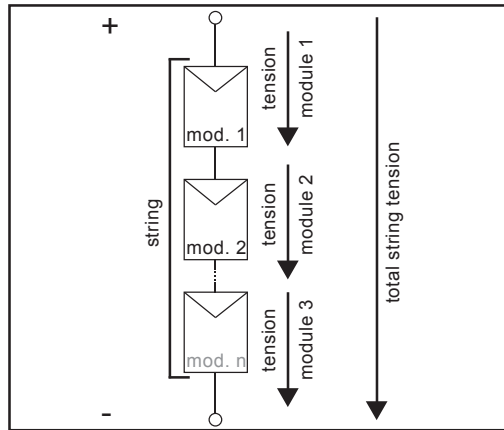
So that the free electrons will flow in one direction and thus generate electricity, the poles on the front and back side of the cell must be different from each other.

The silicon atoms of the front must be packed with a slight quantity of phosphor atoms which contain an additional valency electron. On the back of the cell, atoms of boron having only three valency electrons are added to the silicon atoms.

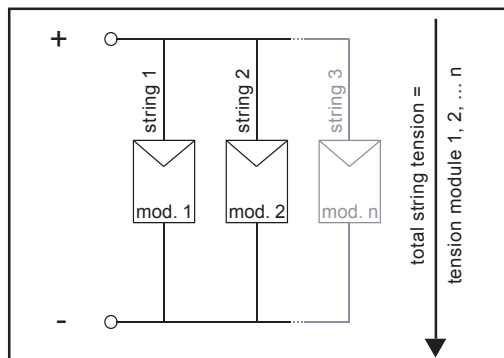
The result is an imbalance which makes the electrons flow, and this is how electric power is generated.

Many such solar cells united together and packed behind glass form one of your solar modules.

Your roof is your power generator
(continued)



Power output and voltage are increased by combining a number of solar cells. If solar modules are connected in series like on a string, both the output potential as well as the voltage will increase.



In a parallel connection of several such strings the potential output and the modular electric power will increase, while the voltage will remain unchanged. The total of all solar modules connected parallel and in series is called solar generator.

Electricity is converted under the roof

The direct current generated in the solar modules can be fed into the public mains network or put to home use after having been transformed in an inverter.

This is the basic purpose of your FRONIUS IG unit.

The FRONIUS IG Unit in the Photovoltaic System

General information

Your FRONIUS IG unit is the latest generation of solar inverters. It is the highly complex link between solar modules and the public electricity mains network.

As such it is in charge of a number of highly qualified tasks.

Transforming DC into AC electricity

The FRONIUS IG unit transforms the direct current generated by the solar modules into alternating current. This alternating current is fed into your home system or into the public mains synchronically with the voltage which is used there. The FRONIUS IG has been designed exclusively for use in mains connected photovoltaic schemes. It cannot generate electric power independent from the public mains network.

Fully automatic operation management

The operation of the FRONIUS IG unit is fully automatic. Starting with sunrise, as soon as the solar modules generate enough power, the automatic control unit starts monitoring voltage and frequency. As soon as there is a sufficient level of insolation, your solar inverter starts supplying and feeding power. A few Watts of solar power output are sufficient to achieve this, depending on which version the unit is!

The operation of the FRONIUS IG unit ensures that at any time the maximum possible power output is drawn from the solar modules.

This function is called MPPT (Maximum Power Point Tracking). It operates with extremely high precision. As dusk starts there is no more sufficient energy available to feed power into the mains, the FRONIUS IG unit shuts the mains connection completely and stops operating. All settings and data recorded are of course saved.

Voltage transformation and galvanic insulation

The FRONIUS IG has been designed for use with solar modules of a wide range of input voltages. This allows the use of the greatest variety of types of solar modules. Important notice: the parameters indicated for maximum DC voltage (total voltage of the solar cells connected) must at no time be exceeded!

By its design and operation, the FRONIUS IG offers a maximum of safety during installation as well as in operation.

Voltage transformation and galvanic insulation

(continued)

The FRONIUS IG is equipped with an HF-transformer (HF = high frequency) which assures a galvanic insulation between the DC side and the mains. In addition, the HF principle results in a drastic reduction of the transformer's size, which means that it requires less space and has considerably less weight. In spite of its full galvanic insulation, the FRONIUS IG unit achieves a high degree of efficiency, due to its innovative circuit schemes.

Monitoring the mains network

The FRONIUS IG unit is in charge of monitoring the mains network. This responsibility comprises all measures necessary for the protection of persons and machines in case of a power blackout.

The FRONIUS IG unit is programmed to stop operation immediately and stop supplying power whenever conditions in the mains network deviate from standard (for example when power is switched off or in case of any other kind of interruption).

There are several ways how the FRONIUS IG unit can identify a mains-cutoff, it can do so for example by monitoring:

- voltage
- frequency
- resistance (only FRONIUS IG with ENS)

For this purpose it is important that the specific monitoring procedures applicable for the respective countries are carried out directly by the FRONIUS IG unit without the use of additional electronic monitoring devices. This will result in a substantial reduction of the installation work and cost.

Display function and data communication

The complex technical systems of innovative solar inverters make it necessary to design the display which is the interface with the user very carefully. It is an unwavering design aiming at ease of operation and permanent availability of the system's data.

The FRONIUS IG unit is equipped with a basic recording function for monitoring minimum and maximum data on a daily and a cumulative basis directly from the display. There is also an option to allow the reading of the following weather data on the display:

- two different temperature readings (for example temperature at the solar modules as well as the outside temperature in the shade)
- insolation

In addition to the functions installed in the FRONIUS IG unit, a wide choice of elements offered for data communication allows for many possibilities of recording and visualising data. The respective components required to upgrade the system are easy to install using the FRONIUS IG DatCom operating instructions. The installation of system upgrades, such as DatCom components, allows for possible remote system monitoring

Display function and data communication

(continued)

via modem, text messages to mobile phones in the event of faults, data visualisation and data comparison on the PC.

Your advantage

With each additional task, as described above and controlled directly by the inverter, installation becomes easier and less costly because no additional peripheral equipment will be required. Based on our experience and the use of the most innovative technologies, the FRONIUS IG unit is able to manage all these tasks simultaneously.

In addition, the FRONIUS IG unit complies with a whole number of requirements established for the safety of people and other household appliances, as well for its own safety.

Some of these requirements are:

- ability to monitor the mains network
- the quality of the electricity supplied
- detection of outside disturbance and interference (for example mobile telephones).

Annexed you will find the respective certificates.

Product description

The FRONIUS IG Unit

How it functions

The FRONIUS IG unit is designed for fully automatic operation. Basically no personal control is necessary for feeding the power it generates into the mains network.

The FRONIUS IG unit starts operating automatically as soon as the solar modules produce sufficient power output after sunrise. From this point onwards, you will also receive system information from the FRONIUS AG graphic display.

During its operation the FRONIUS IG unit maintains the voltage of the solar modules at any time within the range of optimal power withdrawal.

- the optimal voltage for any particular status of operation of the solar modules is called MPP voltage (MPP = maximum power point)
- exactly maintaining the MPP voltage guarantees an optimal level of the efficiency factor of your solar modules at any time (MPP-tracking).

As soon as dusk begins there is no more sufficient energy available to feed into the mains network, the FRONIUS IG unit fully shuts off the mains connection.

- during the night the FRONIUS IG unit does not draw any energy from the public mains
- the data and parameters set remain available
- it is also possible to shut the unit off manually

Startup phase

After having switched on automatically, the FRONIUS IG unit goes through a self-test, and after that through a test of the public mains network.

This test takes between only few seconds up to several minutes, depending on the regulations in your country. During startup the LED illumination is yellow.

(1) Segment test

- all display elements light up for about one second

(2) TEST

- self test of important components of the FRONIUS IG unit
- The FRONIUS IG unit goes through a master check list for a period of only a few seconds
- the display says „TEST“ and indicates the respective component which is being tested (for example „LED“)

Startup phase (continued)



TEST LED

(3) Synchronisation with mains

- The screen displays „SYN-
 C_{AC} “
- „WAIT_{PS}“ is displayed: The FRONIUS IG is waiting for all power supplies in the network to be on stand-by. This procedure takes place dependent on the DC-voltage.



WAIT PS

- „SYN C_{AC} “ is displayed subsequently.



SYNC AC

(4) Startup test

- Before the FRONIUS IG unit starts supplying power into the mains, the conditions of the mains network are tested in detail in accordance with the regulations of your country.
- the screen displays „START_{UP}“

Depending on the regulations of each country, the startup test can take between just a few seconds up to several minutes. The time elapsed is indicated by a bar shrinking from top down.

Whenever two scale divisions stop flashing and disappear, 1/10 of the total duration of the test is over



START UP

(5) Synchronisation ENS (option)

- if the FRONIUS IG unit is equipped with the ENS option, every detail of the ENS will be tested and synchronized
- the screen displays „SYN C_{ENS} “

Depending on the operating status of the ENS, test and synchronization may take up to several seconds.



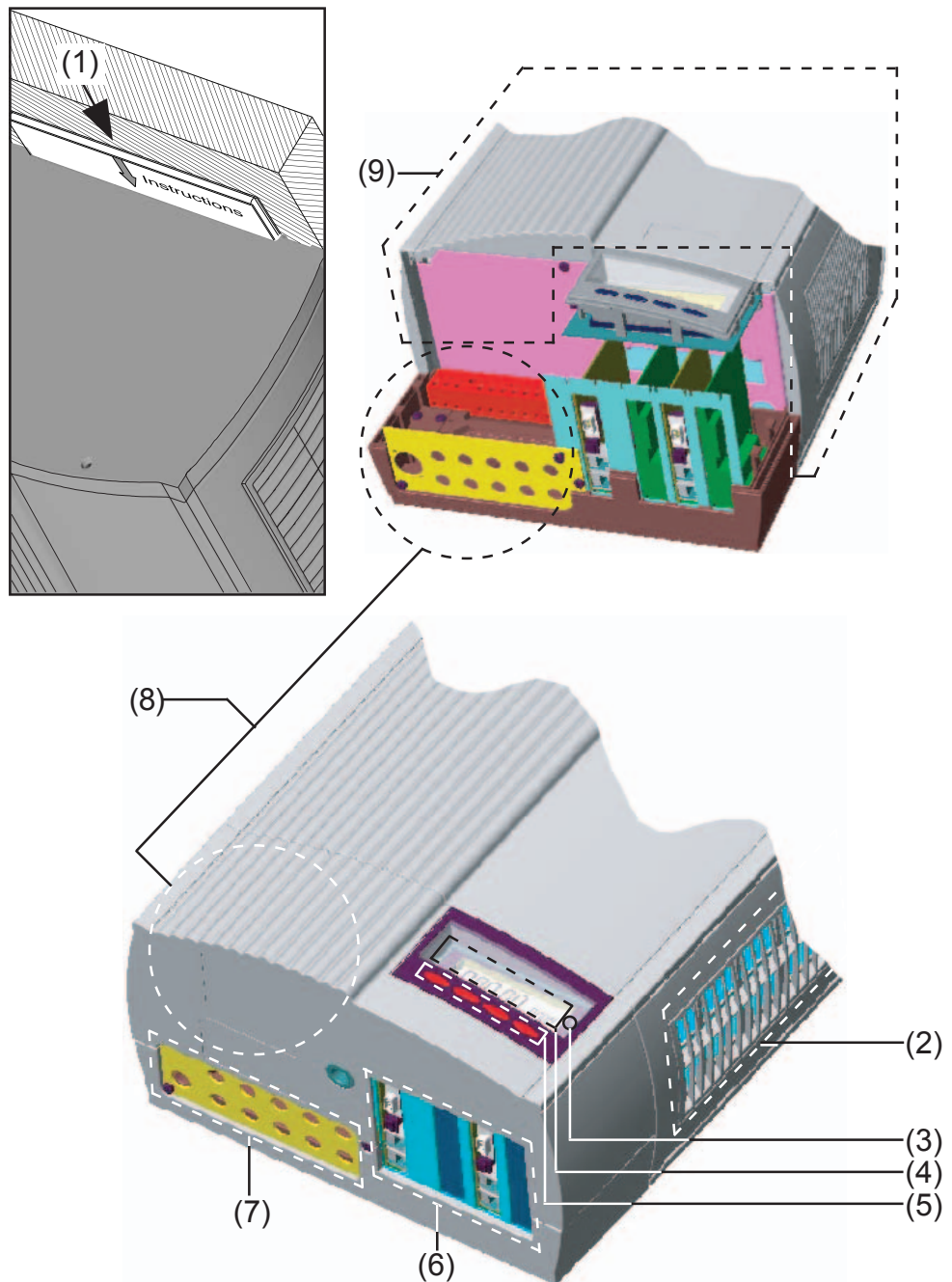
SYNC ENS

(6) Operation of feeding power supply into the mains network

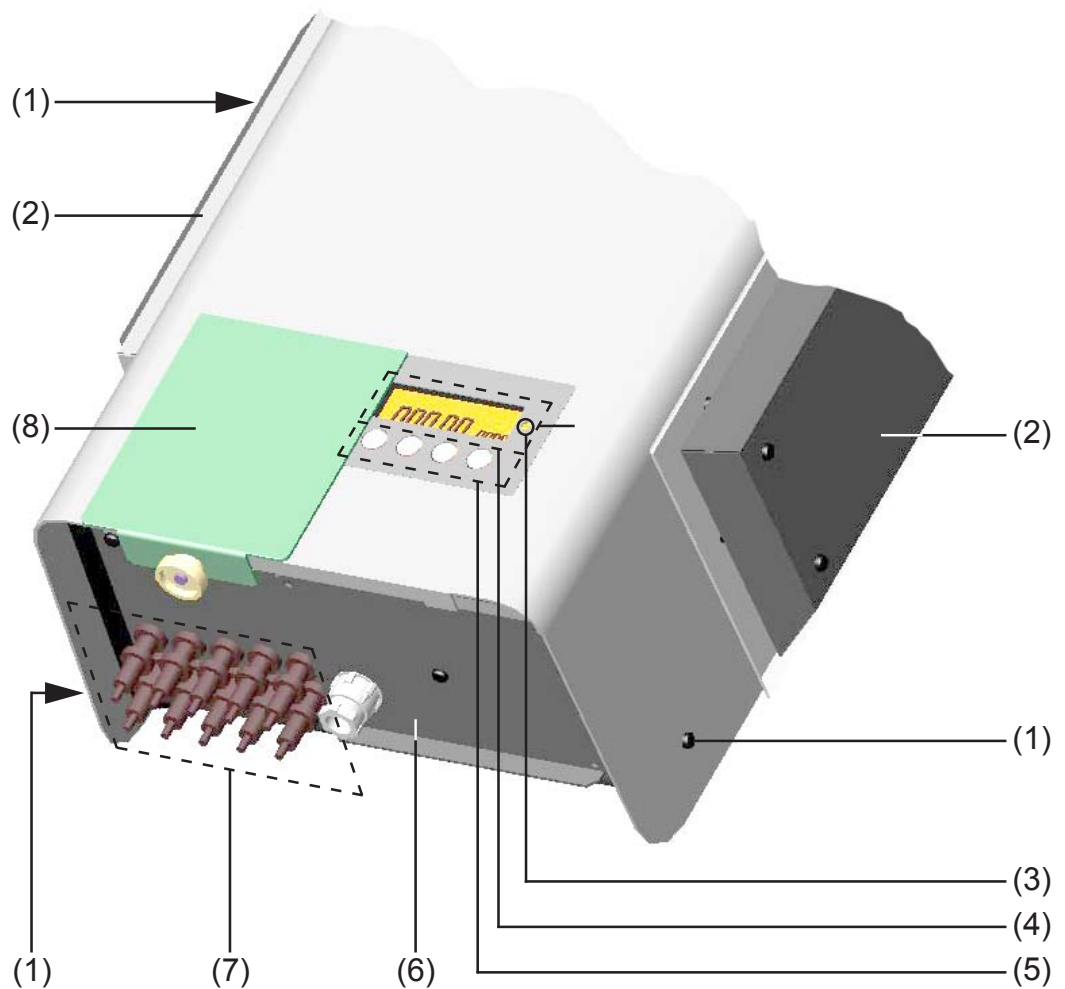
- After termination of the tests, the FRONIUS IG unit starts feeding power into the mains network.
- The LED lights up green, and the FRONIUS IG unit starts operating

**Overview for
FRONIUS IG
(for indoor
housing)**

- (1) storage area for operation and installation manual
- (2) ventilation grill
- (3) LED for operation status
- (4) display
- (5) keyboard
- (6) slot -in board area
- (7) various versions of connection plate
- (8) connection area - to be opened only by licensed electricity installers
- (9) power stage, separately insulation encased - to be opened only by Fronius trained service staff



Overview for
FRONIUS IG
Outdoors



- (1) tightening screws for housing
- (2) cooling bonnets
- (3) LED for operation status
- (4) display outside
- (5) keyboard outside
- (6) covering for AC connection and slot-in board area
- (7) connection rail Multicontact
- (8) cover slide to protect the buttons and the display from the sun's rays.

Note! We recommend that the cover slide is pushed in front of the display in cases of direct sunshine.

LED for operating status



Depending on the operating status, the LED assumes different colours

(1) LED lights up green:

- a green light starts as soon as the FRONIUS IG unit has completed the startup phase, it stays green as long as the operation of feeding power into the network continues
- it indicates faultless operation of the photovoltaic equipment

(2) LED flashes green:

- as long as the photovoltaic equipment is operating without fault
- and an additional message is displayed on the screen



Note! A message appears for example if there is an insulation fault, which however does not affect the function of the FRONIUS IG. However for safety reasons we recommend that the insulation fault is remedied as soon as possible.

Depending on the country setup, the inverter can also disconnect from the public grid when there is an insulation error and stop feeding energy into the grid.

The FRONIUS IG with display shows a status message. A message is displayed in the FRONIUS IG.access software for the FRONIUS IG without display.

If a message (e.g. „502“, Section „Status diagnosis and remedy) is shown, rectify the relevant status and acknowledge this by pressing the „Enter“ button.

(3) LED lights up orange:

- The FRONUS IG unit will enter the automatic startup-phase, as soon as after sunrise the photovoltaic modules yield sufficient power output

LED for operating status
(continued)

(4) LED flashes orange:

- when a warning is being displayed on the screen
- or the FRONIUS IG unit has been set to standby operation in the setup menu = manual shutoff of power supply operation
 - after the next day sunrise, power supply operation will be resumed automatically
 - during the time while the orange LED keeps flashing, the power supply operation can be resumed manually at any time (see chapter „Setup Menu“)

(5) LED lights up red:

- general status: the respective service code is displayed on the screen
Inverter does not feed energy into the public grid.

A list of all service codes, the corresponding status informations, their status causes and repair measures can be found in the chapter „Status Diagnosis and Repair“ of the installation and service manual.

(6) LED remains dark:

- there is no connection to the solar modules
- no power output from module due to darkness

Operating scheme

The Display

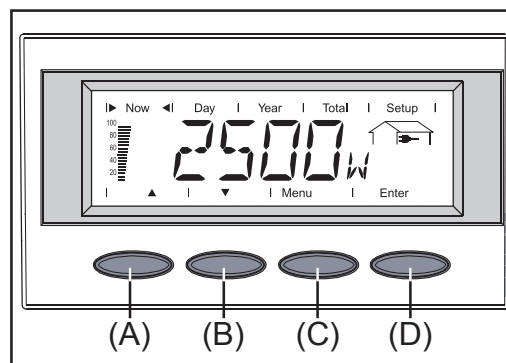
General information

The FRONIUS IG unit is pre-configured to be ready for operation, therefore it is not necessary to make any adjustments in order to be able to get it to operate fully automatic and feed power into the mains.

The display is powered by the solar module and is therefore available throughout the day.

Important! The display of the FRONIUS IG is not a calibrated measuring device. A slight deviation by a few percent is inherent in the system. Therefore, a calibrated meter is required for accurate settlement of data with the electricity supply company.

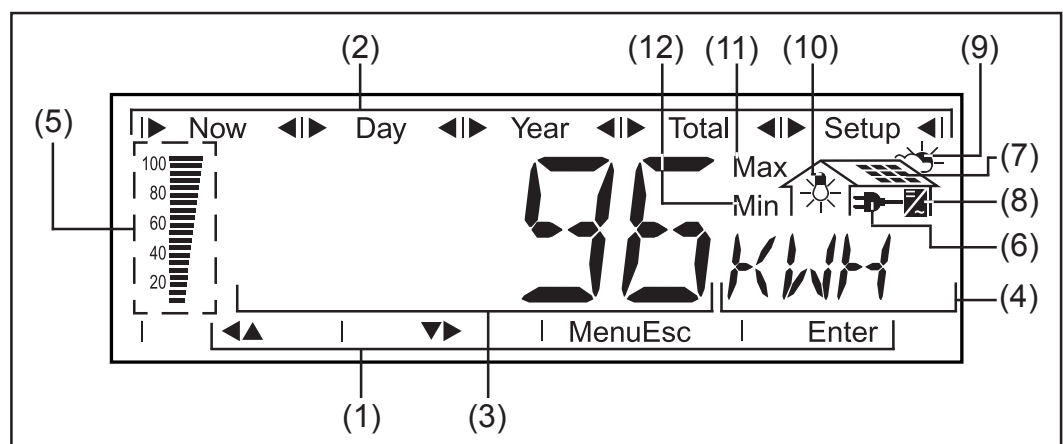
Functions of the keys



Key (A) and (B):
- for scrolling

key (C):
- for switching to the menu level („Menu“) or exit from the setup menu („Esc“) key „Enter“ (D):
- for confirming a choice





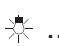
Symbols



(1) symbols for keys (A) through (D)

(2) symbols for the display modes „Now“ through „Setup“

Symbols (continued)

- (3) **area for data display** ... for displaying the data value measured
- (4) **area for unit display** ... for displaying the measuring unit applicable
- (5) **segment bar** ... indicates at any time the power output fed into the mains at a given time - independent from the display mode chosen. The screen displays % of the maximum possible power supply output of your solar inverter
- (6)  ... appears with data readings which are directly related to the public mains network
- (7)  ... appears with data readings which are directly related to the solar modules
- (8)  ... appears with data readings which are related directly to the FRONIUS IG unit
- (9)  ... appears with data readings which are related to environment conditions, like insolation and temperature (optional)
- (10)  ... appears with data readings which are transmitted by the consumption sensor (optional)
- (11) **Max** ... the data reading indicates the maximum within the period of observation (depending on the display mode chosen)
- (12) **Min** ... the data reading indicates the minimum within the period of observation (depending on the mode of display chosen)

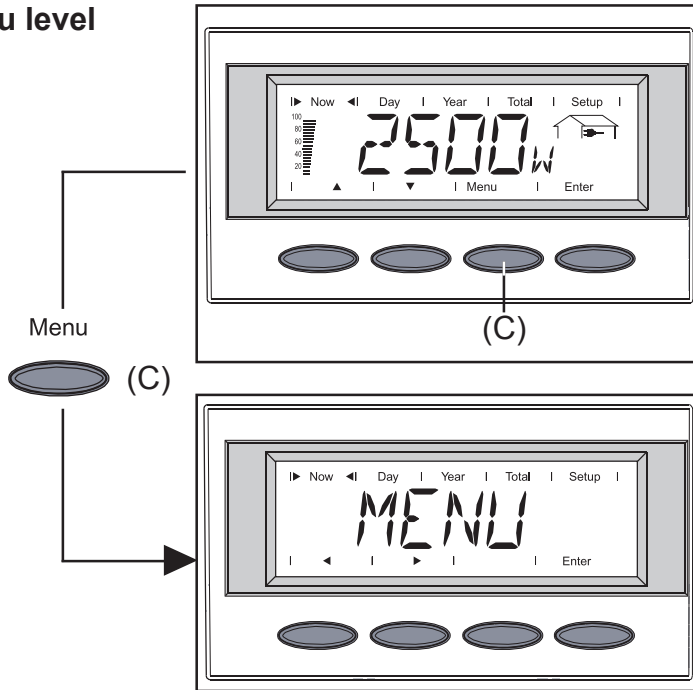
Important! The Min. and Max. values do not correspond to the absolute extreme values, as the measuring data value capture takes place at two second intervals

Navigating in the Display

Display illumination

Press any key to activate the display lighting. If no key is pressed during 30 seconds, the display lighting stops. At the same time the setup menu offers a choice between permanently lit or permanently dark display.

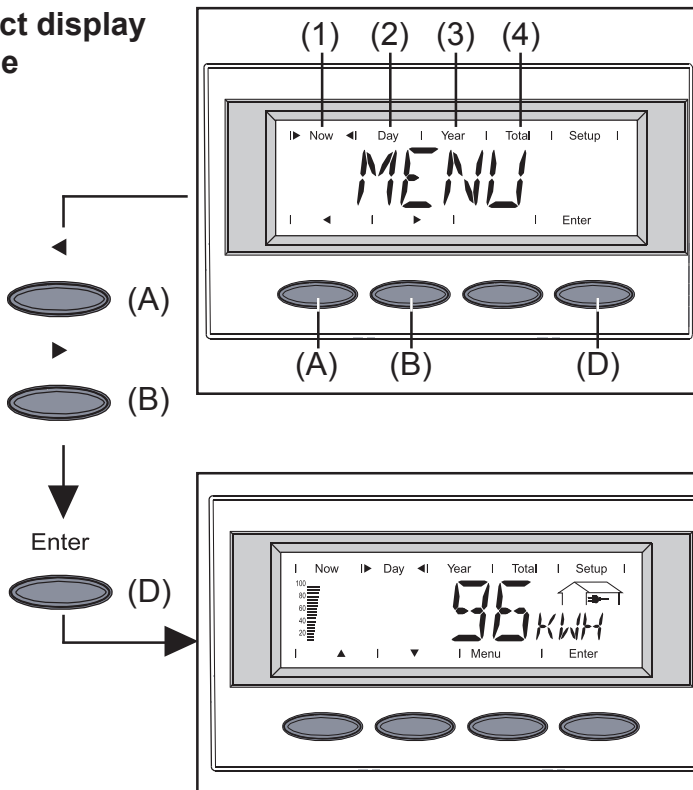
Menu level



From the menu level you enter the display mode or the setup menu. Move into the menu surface by pressing key (C)

- the screen displays „Menu“
- the display is operating in the menu level

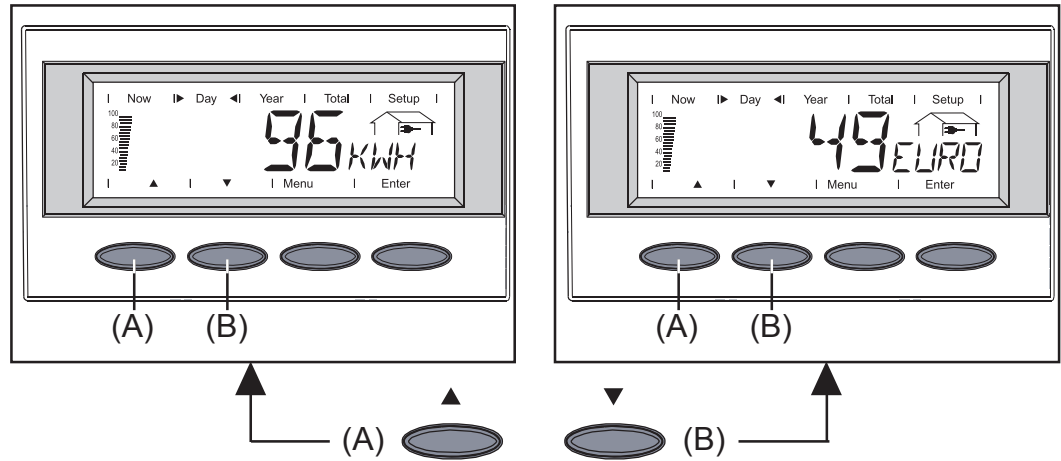
Select display mode



- move into the menu level
- select the desired display mode (1) to (4) by pressing keys (A) or (B)
- enter the display mode selected: press key „Enter“ (D)

Note! for the menu item „Year“ a real time clock is required. The menu item „Year“ is only supported when the option data recorder is connected. This system upgrade is equipped with a real time clock.

Scrolling between display functions



- select the desired display mode (see above)
- scroll between the display functions available with keys (A) or (B)

Display Modes

Scheme of display modes

The following display modes are available:

display mode „Now“ ...shows present data

display mode „Day“ ... shows data for supply into the mains for the current day

display mode „Year“ ...shows data for supply into the mains in current calendar year - only in combination with data recorder option
















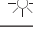










display mode „Total“ ... shows data for supply into the mains since your FRONIUS IG unit has been first operating

Scheme of display readings

The following scheme contains a brief list of the display readings available.

Display readings without footnote are shown when the setting „standard“ is chosen (factory setting).

* optional - if the required option card is not available, the message „N.A.“ (nicht angeschlossen = not connected) is displayed.

Mode „Now“	Mode „Day“ / „Year“ / „Total“
output supplied  (W)	energy supplied  (kWh / MWh)
voltage  (V)	yield  (set applicable currency)
electricity supplied  (A)	CO ₂ -reduction  (kg / t)
mains frequency  (Hz)	power output supplied (maxim.)  (W)
* mains impedance  (Ohm)	mains voltage (maximum)  (V)
module voltage  (V)	mains voltage (minimum)  (V)
module power  (A)	module voltage (maximum)  (V)
* module temperature  (°C; alternatively also °F)	* energy as read by consumption meter  (kWh / MWh)
insulation resistance  (MOhm)	* module temperature (maximum)  (°C; alternat. also °F)
* output reading of consumption meter  (W)	* module temperature (minimum)  (°C; alternat. also °F)
* ambient temperature  (°C; alternatively also in °F)	* ambient temperature(maximum)  (°C; alternat. also °F)
* insolation  (W/m ²)	* ambient temperature(minimum)  (°C; alternat. also °F)
* time (HH:MM)	* insolation (maximum)  (W/m ²)
	operating hours of FRONIUS IG unit  (HH:MM)

Display mode „Now“



Displays present readings

- select display mode „Now“ (chapter „The Display“)
- the first display function of the display mode „Now“ appears

* optional - in case the card for the required option is not available, the message „N.A.“ is displayed



(A) (B)

power supplied .. power supplied to mains at this moment (Watt)

- for the next item press key (B)
- to scroll back press key (A)



mains voltage (Volt)



power supplied ...power supplied to mains at the particular moment (Ampere)



mains frequency (cycles)



* **mains impedance** ... resistance of mains - parameter for safe power supply to mains (Ohm; optional ENS)

The resistance of the local low voltage mains up to the next transformer station is metered.

Whenever the local low voltage mains network is switched off for repair works, the mains impedance will increase substantially, in this case the FRONIUS IG unit will interrupt power supply for safety reasons.



Display mode
„Now“
(continued)



module voltage... voltage in the solar modules at the moment of data display

The voltage indicated during power supply into mains is equal to the so-called MPP voltage (MPP = maximum power point). The FRONIUS IG unit keeps the module voltage always within the maximum possible power output withdrawal from the solar modules. This always guarantees an optimum efficiency performance of your photovoltaic generator..



module power ... power supplied by solar modules at the moment of data display (Ampere)

The FRONIUS IG unit keeps the module voltage always within the range of the maximum possible power withdrawal from the solar modules. This results in the optimum for the module electricity.



* **module temperature ...** temperature at solar modules (degrees centigrade; can also be set for degrees Fahrenheit; temperature sensor No.1; sensor card optional)



isolation resistance of photovoltaic generator (MOhm)

Isolation resistance is the resistance between the positive pole or the minus pole of the photovoltaic generator and the grounding potential. Whenever an isolation resistance higher than 500 kOhm is shown, the photovoltaic generator is sufficiently insulated.

Warning! An isolation resistance < 500 kOhm can be caused by an insufficiently insulated DC cable or by defective solar modules. In case of an insufficient isolation resistance you must in any case contact your Fronius service partner.

Important! Only an isolation resistance of less than 500 kOhm indicates that there is an error. Whenever a higher insulation resistance is shown it is not to be interpreted as an error.

Whenever there is an isolation resistance of less than 10 MOhm, the display differentiates between the negative potential and the earthing (minus sign „-“) and the positive potential and the earthing (plus sign „+“)

Display mode
„Now“
 (continued)



Display example for negative potential (sign „-“)
 Short circuit between DC- line and earth



Display example for positive potential (sign „+“)
 Short circuit between DC+ line and earth



* **power output drawn from mains supply...** present consumption (Watt; sensor card optional)



* **ambient temperature** (°C; °C; can also be set for °F in setup menu; temperature sensor Nr.2; sensor card optional)



* **insolation** ... insolation power output impact per square meter (Watt/m²; sensor card option)



* **time of the day** (data recorder is optional)



**Display mode
„Day / Year /
Total“**



Display mode „Day“ ... shows readings for mains supply feed-in of current day - only in combination with bus-master option

Important! For the FRONIUS IG unit, the day begins with the moment it switches on. In case the DC supply line is disconnected, the following parameters will be re-set after repeating the start-up:

- power supplied (kWh)
- yield (currency can be selected)
- CO₂-reduction (kg)
- maximum power supplied (Watt)
- maximum mains voltage(Volt)
- minimum mains voltage (Volt)
- energy drawn from mains supply (kWh)
- operating hours for FRONIUS IG unit

The information given above does not apply for the data recorder option. If the data recorder option is available the display values listed always apply for the whole of the mains supply feed day.



Display mode „Year“ ...shows readings of power supply for the current calendar year (only in conjunction with data recorder)



Display mode „Total“ ...shows readings of power supply since original start of operation of the FRONIUS IG unit.

- select display mode „Day“ / „Year“ / „Total“ (chapter „The Display“)
- the first display function of the display mode selected will appear

* optional - in case the required sensor card is not available, the message „N.A.“ is displayed.

Display mode
 „Day / Year /
 Total“
 (continued)



(A) (B)

Energy supplied ... energy supplied during period monitored (kWh / MWh)

Due to different monitoring systems there can be deviations in comparison with readings of other metering instruments. For invoicing of the energy supplied only the readings of the calibrated meter supplied by the electric utility company are relevant.

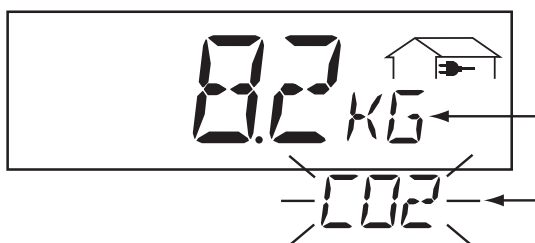
- press key (B) for next item
- to scroll back press key (A)



Yield ... money earned during period monitored (set currency in setup menu)

Important! As was the case for the energy supplied, also here readings may differ from those of other instruments.

Chapter „Setup Menu“ tells how to set currency and rate applicable for invoicing. The factory setting is 0,48 Euro/kWh.



CO₂-reduction ... CO₂ emission saved during monitored period (kg/t)

Indication of CO₂ emission (in kg/t) which would be released during generation of same amount of electricity in a thermal power station. Set for 0,59 kg/kWh in the factory (source of information: DGS - German Society for Solar Energy).



Maximum power input .. highest power input into main during observation period (W)



Maximum mains voltage ... highest reading of mains voltage (V) during observation period



Display mode
 „Day / Year /
 Total“
 (continued)



Minimum mains voltage...
 lowest reading of mains voltage (V) during observation period



Maximum module voltage...
 highest reading of module voltage (V) during observation period



* **Energy consumption meter reading**
 energy consumed during observation period (kWh / MWh; applicable for consumption sensor)



* **maximum temperature at module...** highest temperature reading at solar modules during observation period (°C; can also be set for °F in setup menu; temperature sensor No. 1; applicable for sensor card)



Note! Fit the temperature probe on the rear side of the solar module.



* **minimum temperature at module...** lowest temperature reading at solar modules during observation period (°C; can also be set for °F in setup menu; temperature sensor No. 1; applicable for sensor card)



* **maximum ambient temperature ...** highest temperature reading during observation period (°C; can also be set for °F in setup menu; temperature sensor No. 2; applicable for sensor card)



* **minimum ambient temperature...** lowest temperature reading at solar modules during observation period (°C; can also be set for °F in setup menu; temperature sensor No. 2; applicable for sensor card)

Display mode
 „Day / Year /
 Total“
 (continued)



* **maximum insolation...** highest insolation during observation period (W/m²; sensor card optional)



operating hours ... duration of operation of FRONIUS IG unit (HH:MM)

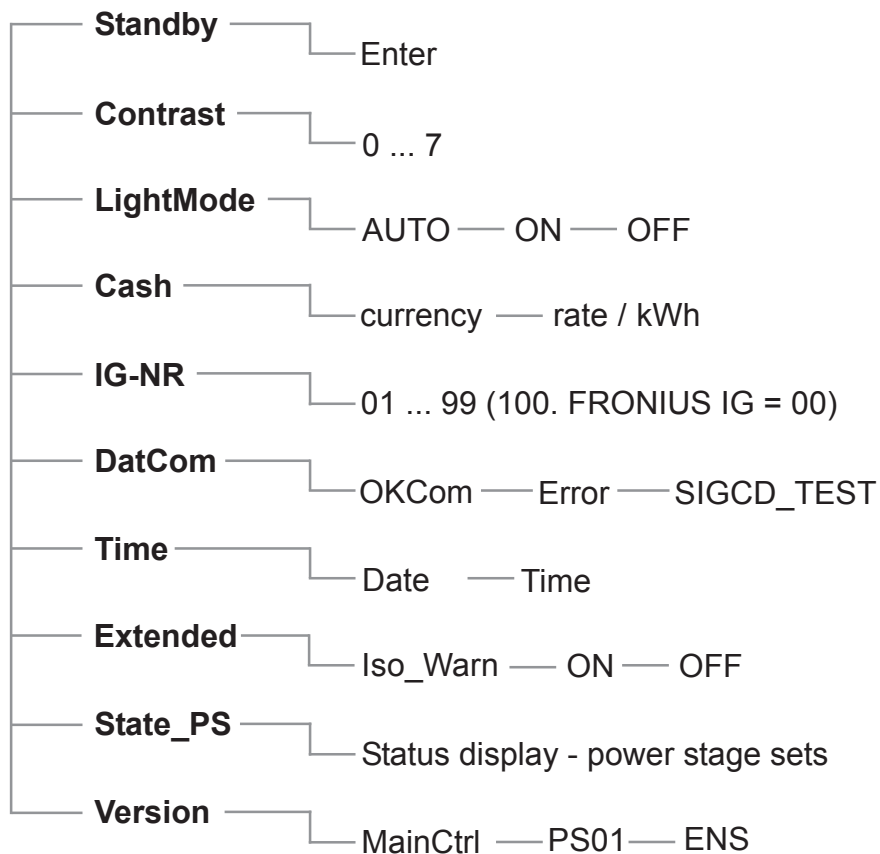
Duration of operation is shown in hours and minutes upto 999 h and 59 min (display: „999:59“). From then on only full hours are displayed.

Although the FRONIUS IG unit is not operating during the night, all data required for the sensor card option are monitored and saved around the clock.

The Setup Menu

List of menu items

The following brief scheme shows the menu items provided for readjusting preset parameters of the FRONIUS IG unit

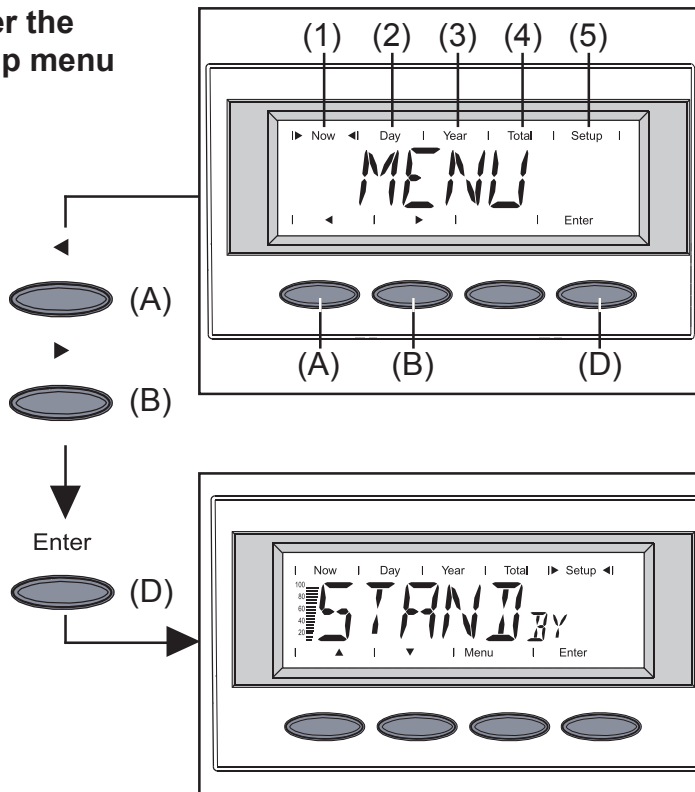


Display mode „Setup“



The setup menu allows easy readjustment of the preset parameters of the FRONIUS IG unit in order to adapt to your needs and requirements in the best possible way.

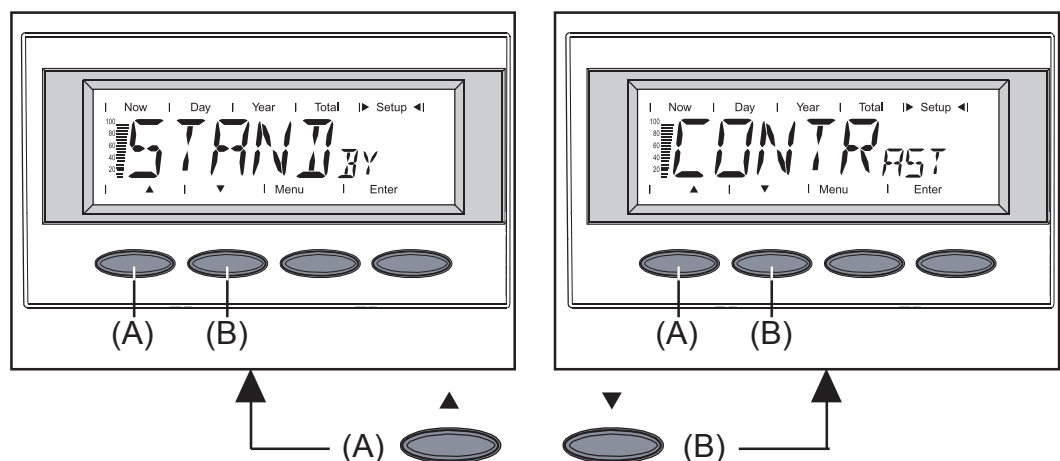
Enter the setup menu



- move to to the menu level (chapter „Navigating in the Display“)
- select mode „Setup (5)“ with keys (A) or (B)
- enter the mode „Setup“ (5) : press key „Enter“ (D)

- „Standby“, the first item on the menu, is displayed

Scroll among menu items



- select the desired display mode (see above)
- scroll with keys (A) or (B) among the menu items available

Setting the menu items

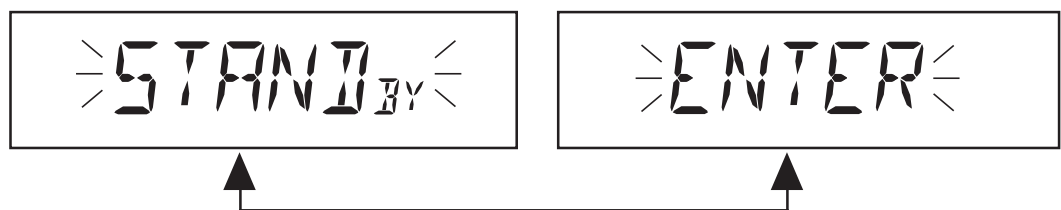


- „Standby“ ...activate/deactivate the standby operation by pressing the „Enter“ key

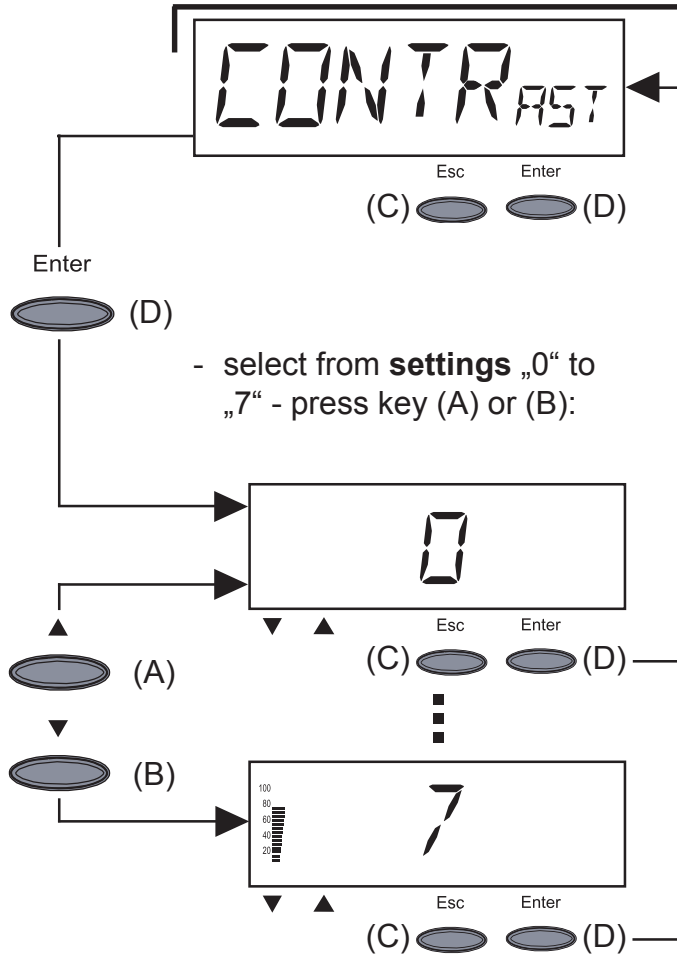
The menu item „Standby“ allows manual activation of the standby operation of the FRONIUS IG unit.

During standby operation the electronic system of the power stage is switched off. No power is fed into the mains. There is an orange flash on the LED. The following message is flashed intermittently on the screen::

„STANDBY“ „ENTER“



- The orange flashing LED stops with dusk arriving.
- After the subsequent sunrise, the power supply operation into the mains is resumed automatically (after termination of the startup phase the LED is illuminated green)
- mains supply operation can be resumed at any time whenever the LED is flashing orange (deactivate „standby“)
- LED with green light: activate „standby“ =manual shutoff of operation supplying power into mains system:
 - press key „Enter“ (D)
- LED with orange flash: deactivate „standby“ = resuming operation supplying power into mains system
 - press key „Enter“ (D)



- „**Contrast**“ ... set contrast on LCD display

- enter „Contrast“: press key „Enter“ (D)

As contrast depends on temperature, it may be necessary to adjust the menu item „Contrast“ when ambient conditions change.

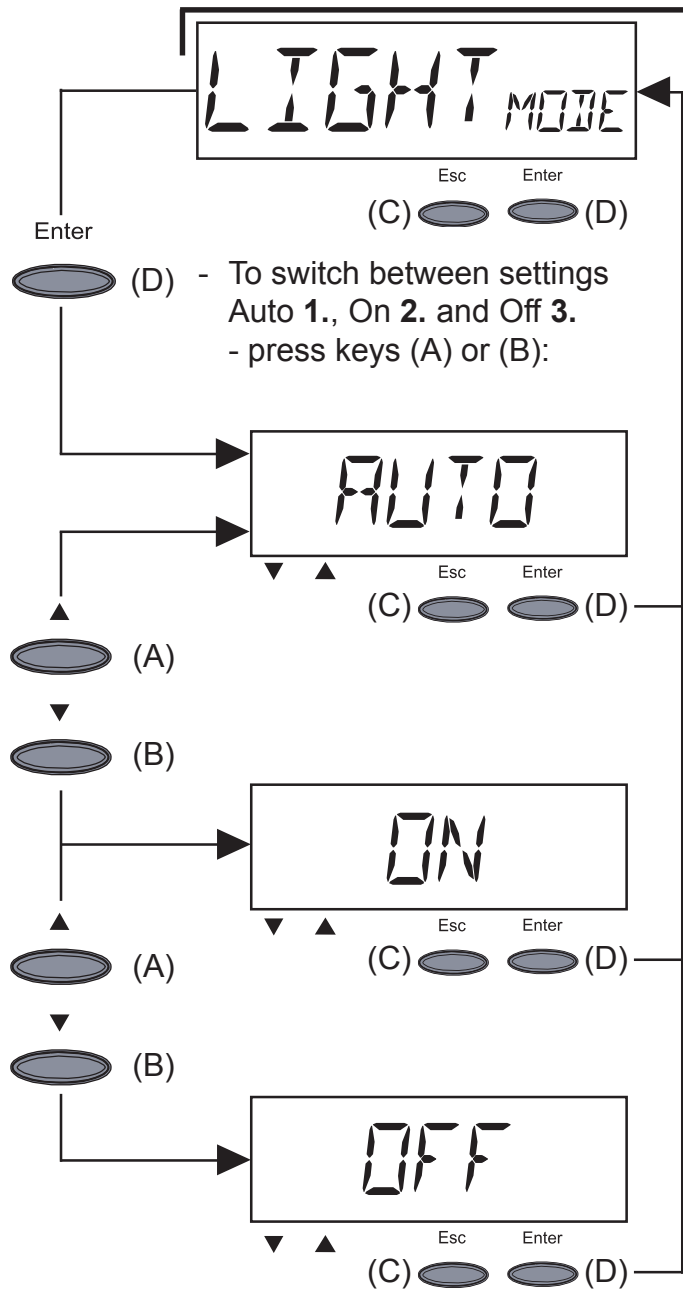
Settings for minimum possible contrast (0) upto maximum possible contrast (7):

- accept: press key „Enter (D)“

- maintain previous setting: press key „Esc“ (C)

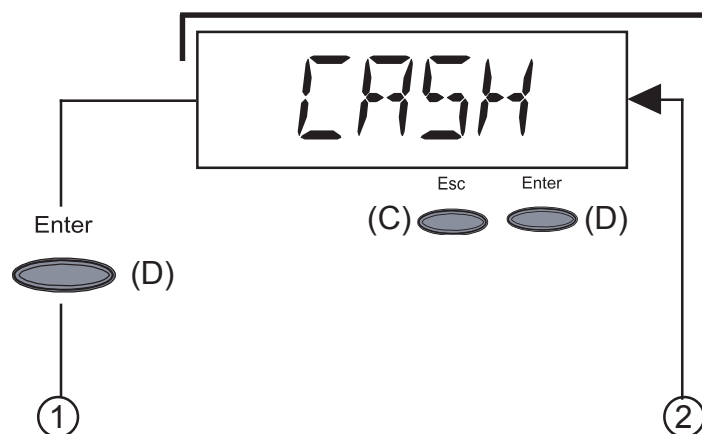


- „**Menu Mode**“ ... cannot be selected

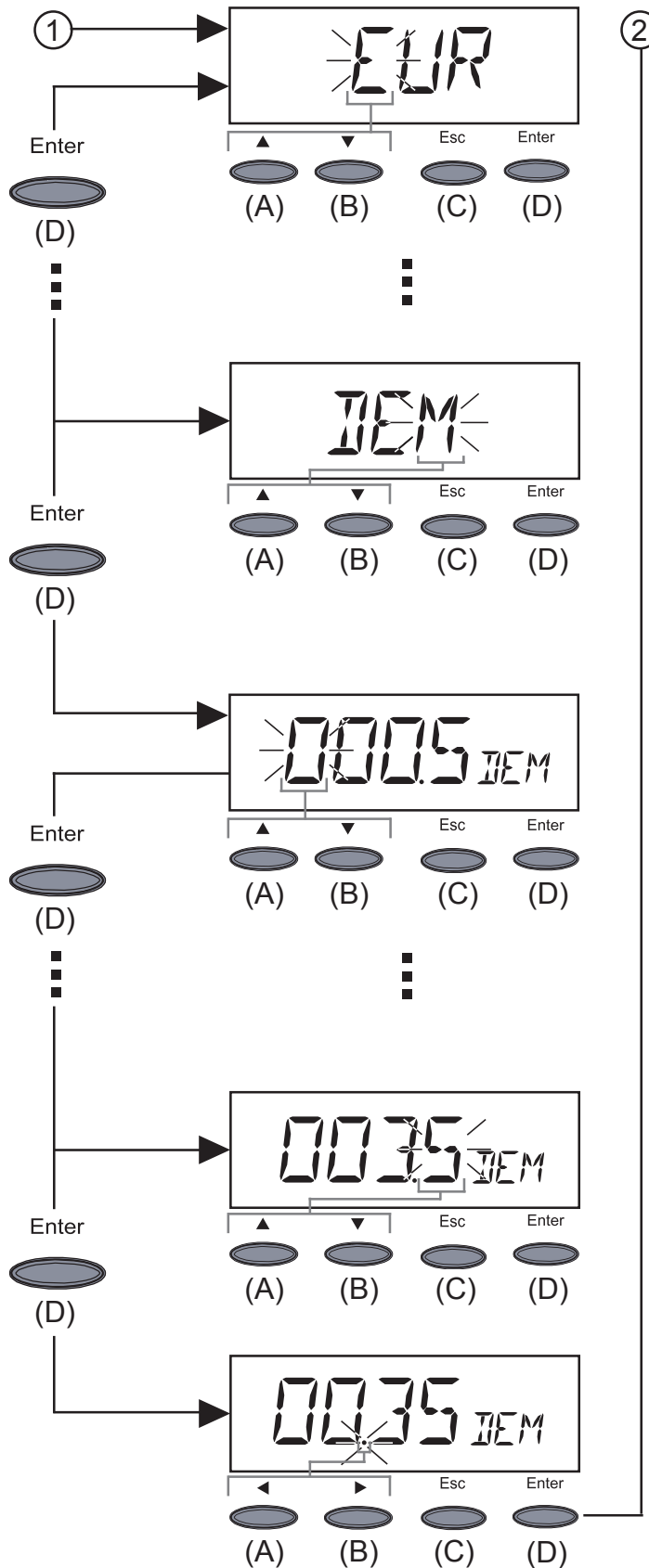


- „Light Mode“ ... pre-setting of display illumination
 - to enter „Light Mode“: press key „Enter“ (D)
1. The display illumination will stop 30 seconds after the last time a key has been pressed
 - accept: press key „Enter“ (D)
 - maintain previous setting: press key „Esc“ (C)
 2. The display will remain permanently illuminated for the duration of the operation of power supply into the mains
 - accept: press key „Enter“ (D)
 - maintain previous setting: press key „Esc“ (C)
 3. The display illumination will be permanently off:
 - accept: press key „Enter“ (D)
 - maintain previous setting: press key „Esc“ (C)

Important! These instructions are only applicable for the display background illumination. It is not necessary to deactivate the display itself because its energy consumption is less than one mW (1/1000 W).



- „Cash“ ... setting of currency and rate for invoicing the energy supplied
- enter „Cash“ by pressing key „Enter“ (D)



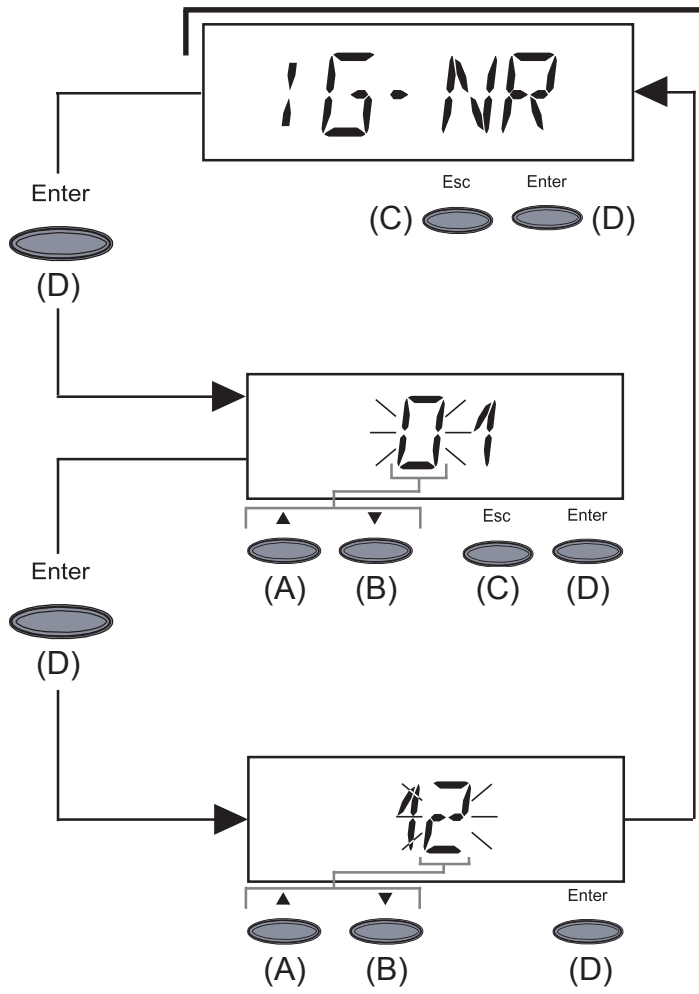
1. Enter currency (factory pre-set for EUR)

- first digit starts flashing
- select a character for the first digit by pressing key (A) or (B)
- confirm by pressing key „Enter“ (D)
- next digit starts flashing
- follow same procedure as described above for subsequent digits
- accept the currency selected by pressing key „Enter“ (D)
- to maintain previous setting, press key „Esc“ (C)

2. Enter rate per kWh according currency selected (preset rate: 0,48 EUR/kWh)

- first digit starts flashing
- select a figure for the first digit by pressing key (A) or (B)
- confirm by pressing key „Enter“ (D)
- next digit starts flashing
- for subsequent digits, follow same procedure as described above for first digit
- decimal point starts flashing
- move the decimal point to the position desired by pressing keys (A) or (B)
- accept the rate set by pressing key „Enter“ (D)
- to maintain previous setting, press key „Esc“ (C)

Note! numbers between 000,1 and 99,99 may be selected



- „IG-NR“ ...Setting the number (=address) of the FRONIUS IG unit in a setup comprising more than one photovoltaic inverter linked with each other
- enter „IG-NR“ by pressing the key „Enter“ (D)

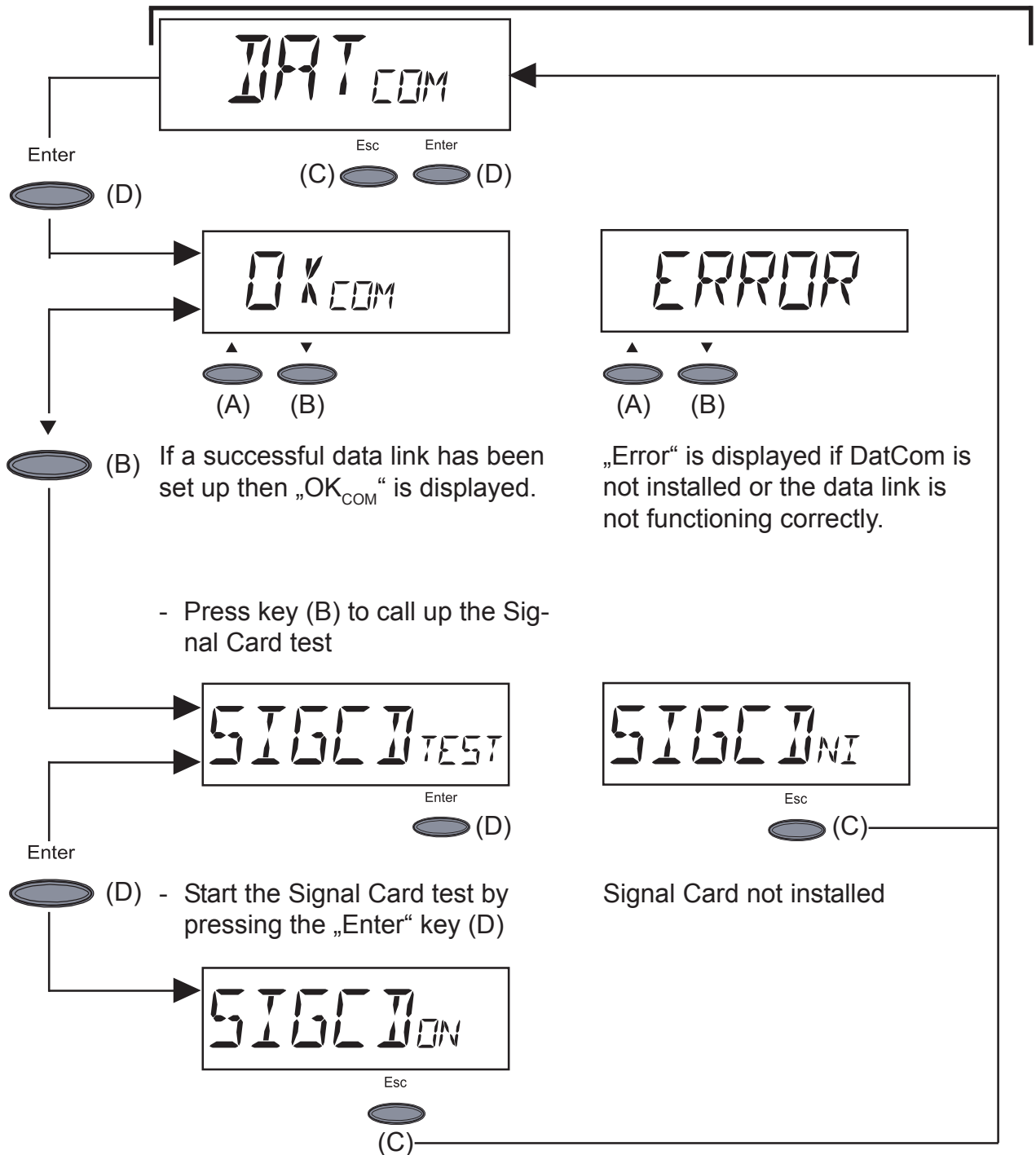
enter address (01 ... 99)
(factory setting: 01)

- first digit starts flashing
- select a figure for the first digit by pressing key (A) or (B)
- confirm with key „Enter“ (D)
- subsequent digit starts flashing
- for second digit follow procedure as described above for first digit

- accept the IG-No. selected: press key „Enter“ (D)
- maintain previous setting: press key „Esc“ (C)

👉 Note! Allocate an own address to each FRONIUS IG when connecting several FRONIUS IG into a data communication network using data recorders.

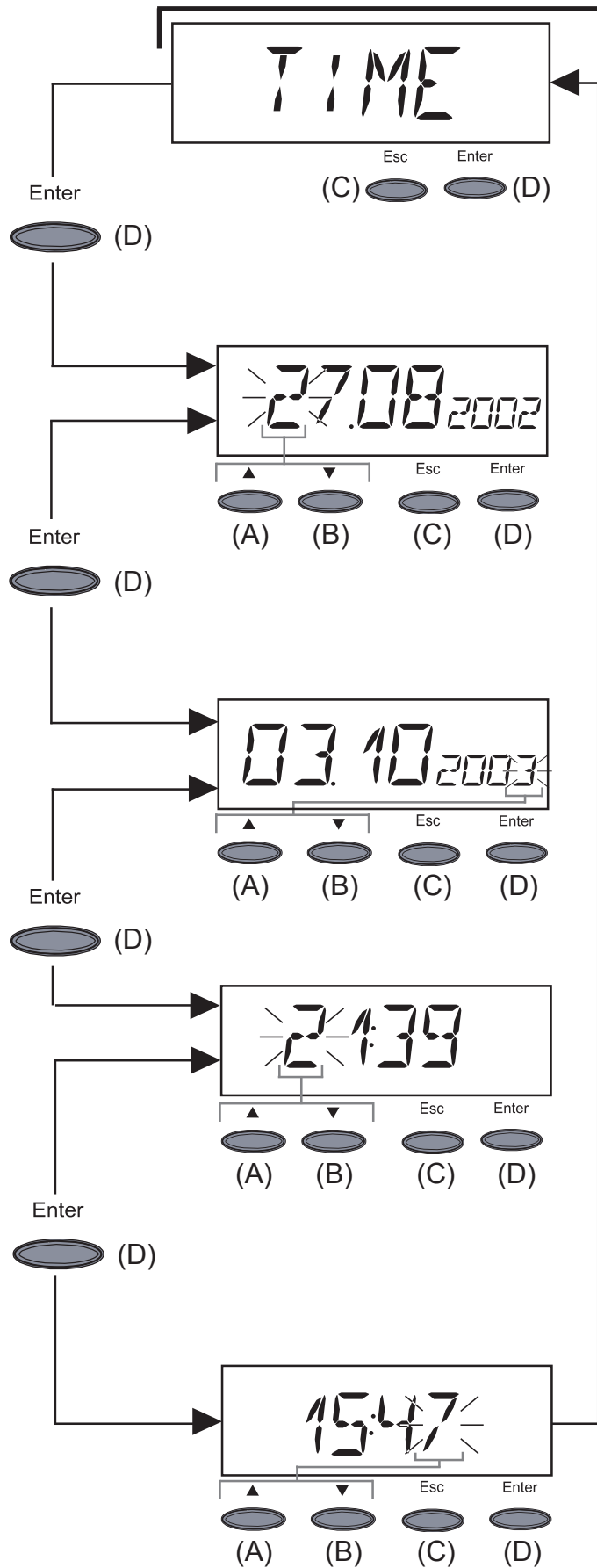
It is important to give each FRONIUS IG an own address, so that the data recorder can differentiate between the individual static inverters. If two FRONIUS IG are in the system with the same address, they cannot communicate with the data recorder. Set another address on the FRONIUS IG showing the status-message 504.



Signal Card active

- The Signal Card's acoustic signal sounds for confirmation.

Important! Check the signal lines if the signal fails to sound.



Important! The menu item „Year“ is only supported when the option data recorder is connected.

- „**Time**“ ... setting of date and time
- enter „Time“ by pressing key „Enter“ (D)

1. Enter date (e.g.: 03.10.2003)

- first digit starts flashing
- select a character for the first digit by pressing key (A) or (B)
- confirm by pressing key „Enter“ (D)
- next digit starts flashing

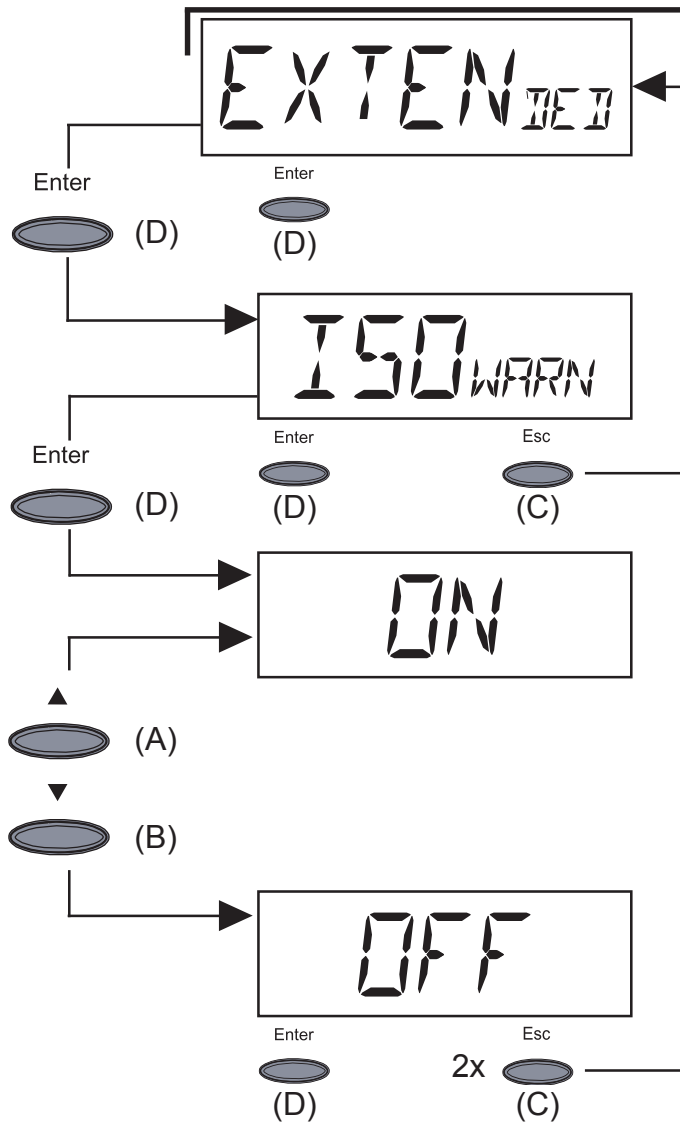
- follow the same procedure as described above for subsequent digits
- accept the date selected by pressing key „Enter“ (D)
- to maintain previous setting, press key „Esc“ (C)

2. Enter time (e.g.: 15:47)

- first digit starts flashing
- select a figure for the first digit by pressing key (A) or (B)
- confirm by pressing key „Enter“ (D)
- next digit starts flashing

- for subsequent digits, follow same procedure as described above for first digit
- accept the time set by pressing key „Enter“ (D)
- to maintain previous setting, press key „Esc“ (C)





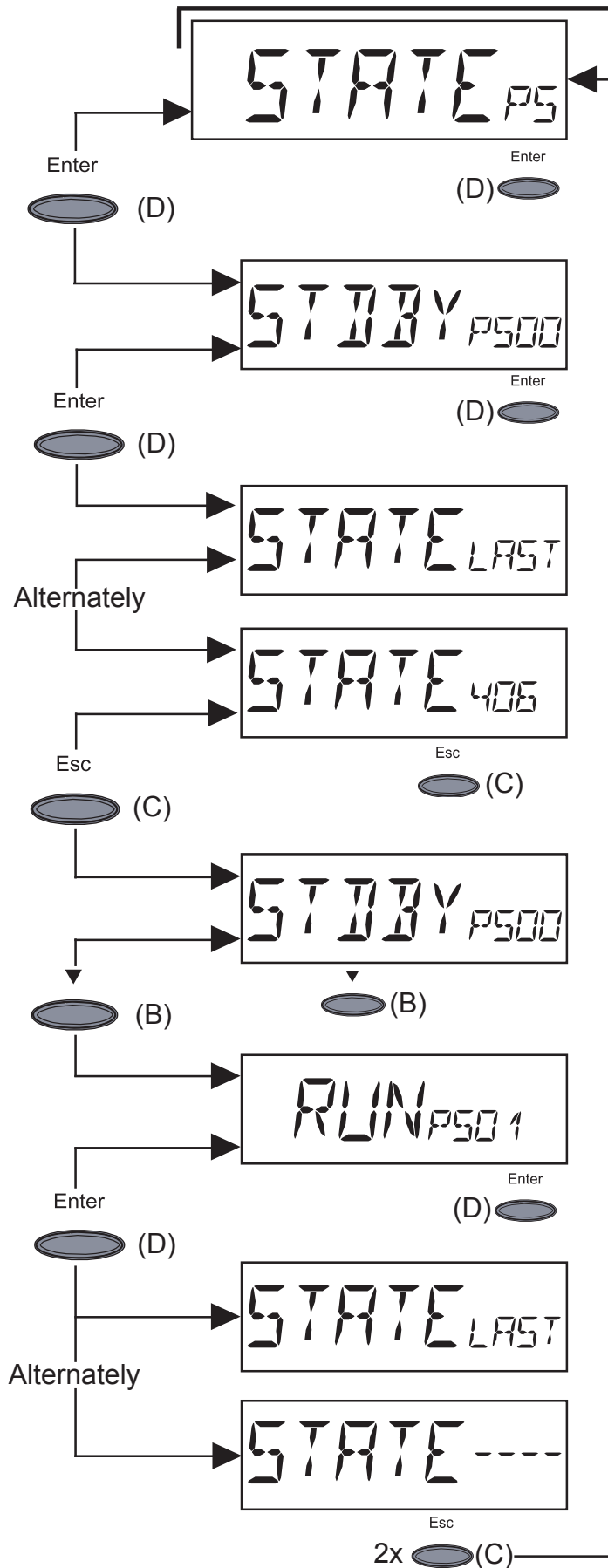
- „Extended“ ... Isolation warning activation and deactivation
- Press „Enter“ (D)

- Isolation warning menu display
- Press „Enter“ (D)

- Use button (A) or (B) to selected the „Off“ or „On“ setting
- Press „Enter“ (D) to apply the setting

When the setting is „Off,“ the „State 502“ Isolation warning is deactivated.

„Off“ is recommended for solar modules with a high ohm grounded DC+ and DC- connection.



- „**STATE_PS**“ ... Status display of power stage sets
- Press „Enter“ key (D)

- In this case for example the first power stage set (PS00) is on „Standby“
- „Standby“ means no electricity is being fed into the public mains
- Press „Enter“ key (D)

- Display of the most recently stored service code (e.g. „State 406“)

Important! The most recently stored service code and the display „State Load“ appear alternately.

- Press „Esc“ key (C)

- The display for the first power stage set (PS00) re-appears
- Change over to the second power stage set by pressing key (B)

- In this case for example the second power stage set (PS01) is on „Run“

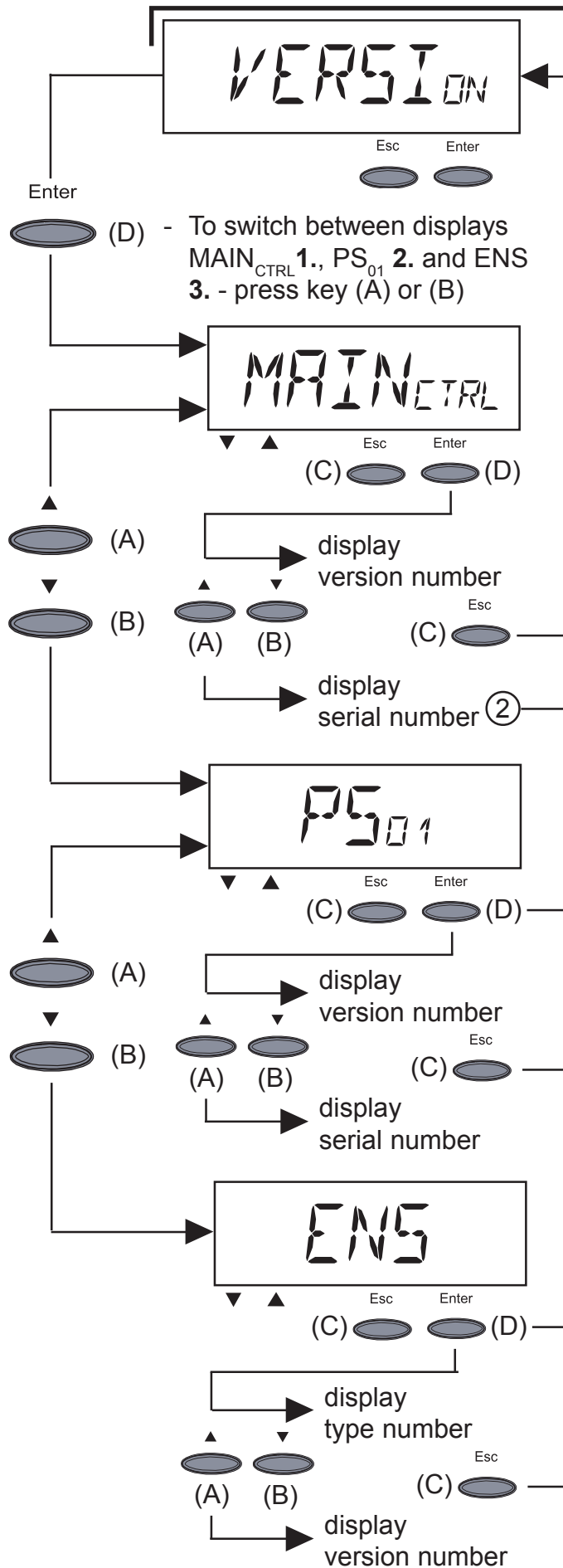
- „Run“ means intact delivery of electricity to the public mains
- Press „Enter“ key (D)

- Display of the most recently stored service code (e.g. „State---“)

Important! The most recently stored service code and the display „State Load“ appear alternately.

- Escape: Press „Esc“ key (C) twice

Important! Status displays 306 (Power Low) and 307 (DC-Low) appear naturally every morning and evening due to low solar irradiation. These status messages are not the result of a fault.



- „Version“ displays version number and serial number of the IG control unit and the power stage

- enter „Version“ by pressing key „Enter“ (D)

1. For displaying version number of the IG control unit : press key „Enter“ (D)

- exit by pressing key „Esc“ (C)

- to switch into display of serial number for the IG control unit: press keys „(A) or (B)“

- exit with key „Esc“ (C)“

2. To display version number of power stage, press key „Enter“ (D)“ - exit with key „Esc“ (C)“

- to switch into display of serial number of the power stage, press keys „(A) or (B)“ - exit with key „Esc“ (C)“

3. To display type number of ENS: press key „Enter“ (D)

- exit with key „Esc“ (C)

- to switch into display of version number for ENS: press keys (A) or (B)

- exit with key „Esc“ (C)

Note! in case the FRONIUS IG unit is not equipped with the ENS option, type number and version number cannot be displayed.

- after the „Enter“ key (D) has been pressed, the message „N.A.“ is displayed on the screen

- exit by pressing key „Esc“ (C)“

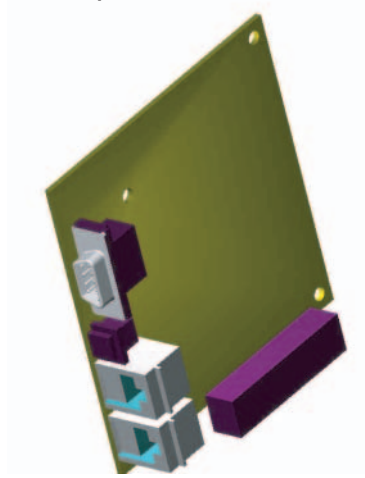
Additional information

Upgrading the system

The FRONIUS IG unit is prepared for a whole series of system upgrades, such as:

- for communicating between FRONIUS IG and outside system extensions, for example with other FRONIUS IG units
- Data logger (for recording and managing data from your photovoltaic system by PC) including datalogger and modem connection
- Various large displays (FRONIUS IG Public Display)
- Actuators / Relays / Alarm (FRONIUS IG Signal Card)
- Sensors (Thermo sensors / Irradiance / Metering)

The system upgrades are offered in slot-in boards, similar to those on your personal computer.



For increased flexibility, all upgrades are also available in a version with external housing



For an unlimited individual use of system upgrades, Fronius has developed the LocalNet. LocalNet is a data network which allows linking more than one FRONIUS IG units with the system upgrade elements.

LocalNet is a bus system. One single cable is sufficient to allow communication between one or several FRONIUS IG units with all system upgrade elements. This reduces the cable requirement to a minimum.

Upgrading the system
(continued)

Please take further details from the chapter „LocalNet“ of the installation and service manual.

Forced ventilation

The FRONIUS IG unit is equipped with a temperature and rotation controlled air circulator which provides for the following features:

- smaller heat sinks - more compact housing
- components are better cooled - efficiency increases / longer life
- least possible energy consumption / noise level, due to rotation control and ball bearing support
- should there not be sufficient heat discharge in spite of maximum rotation of the ventilator (for example no adequate heat transfer away from the control panels) the power will be derated for auto-protection of the FRONIUS IG unit.
 - derating the power reduces the output of the FRONIUS IG unit for a short period sufficient to ensure that the temperature will not exceed the admissible parameter.
 - your FRONIUS IG unit will remain ready for operation as long as possible without any interruption.
 - Even if the FRONIUS IG is frequently used at full load the fan can be expected to last approx. 20 years.

Installation manual

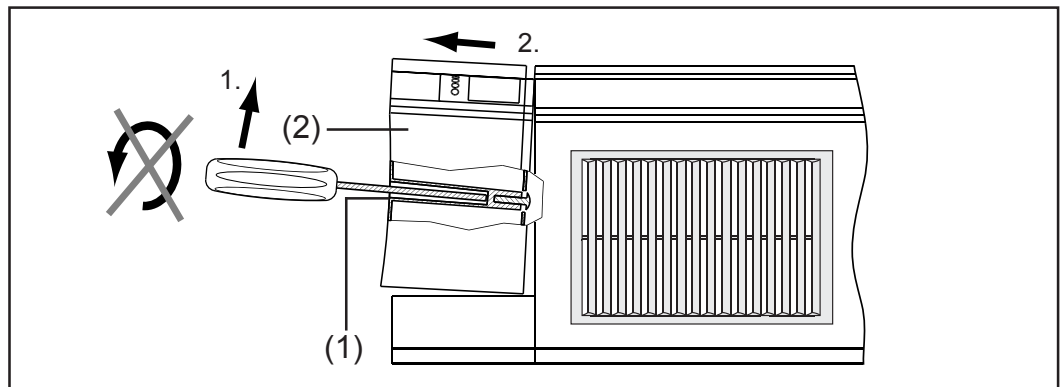
EN

Open the housing

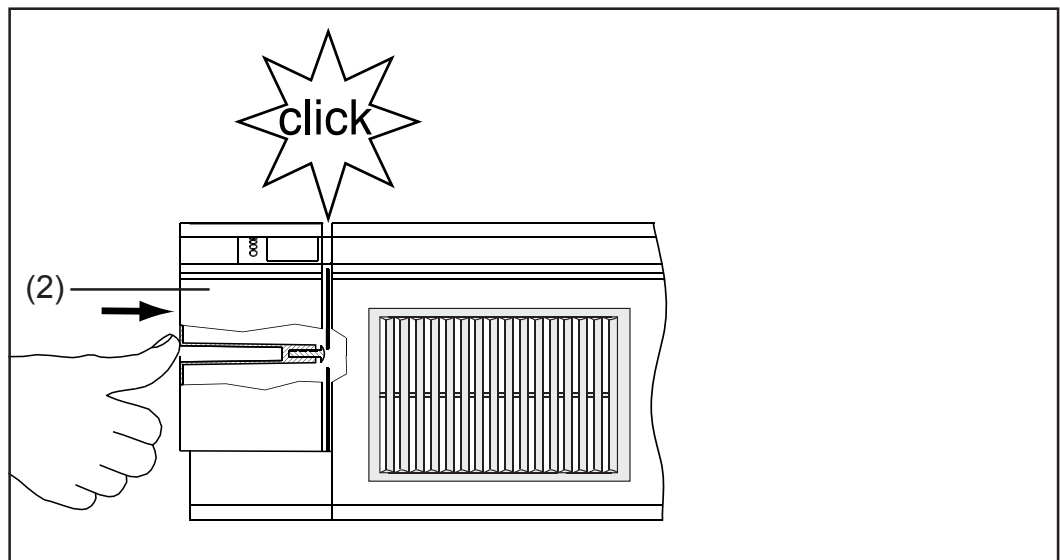
FRONIUS IG (installation of the indoor housing)

Warning! Hazard due to supply voltage and DC-voltage from the solar modules. Only licenced electricity installers are authorized to open the connection area. Only Fronius-trained service staff are authorized to open the separately insulation-enclosed power stage on condition that it is not under voltage.

Opening connection area

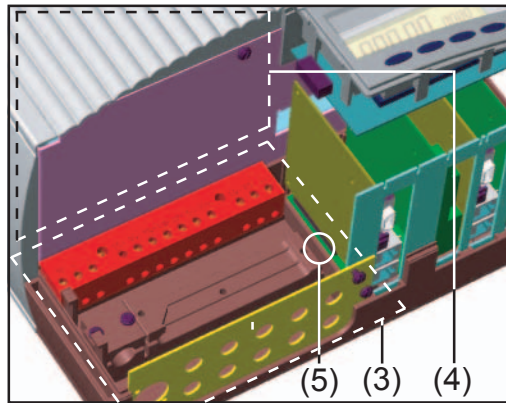


- insert screwdriver into the borehole (1) at the bottom of the FRONIUS IG
- unlock cover (2) of connection area by lifting the screwdriver carefully at the end of its handle
- pull cover (2) of connection area downwards and away



Important! To close the connection area put on cover (2) and push it forward until it reaches the locking position.

FRONIUS IG
 (installation of
 the indoor
 housing)
 (continued)



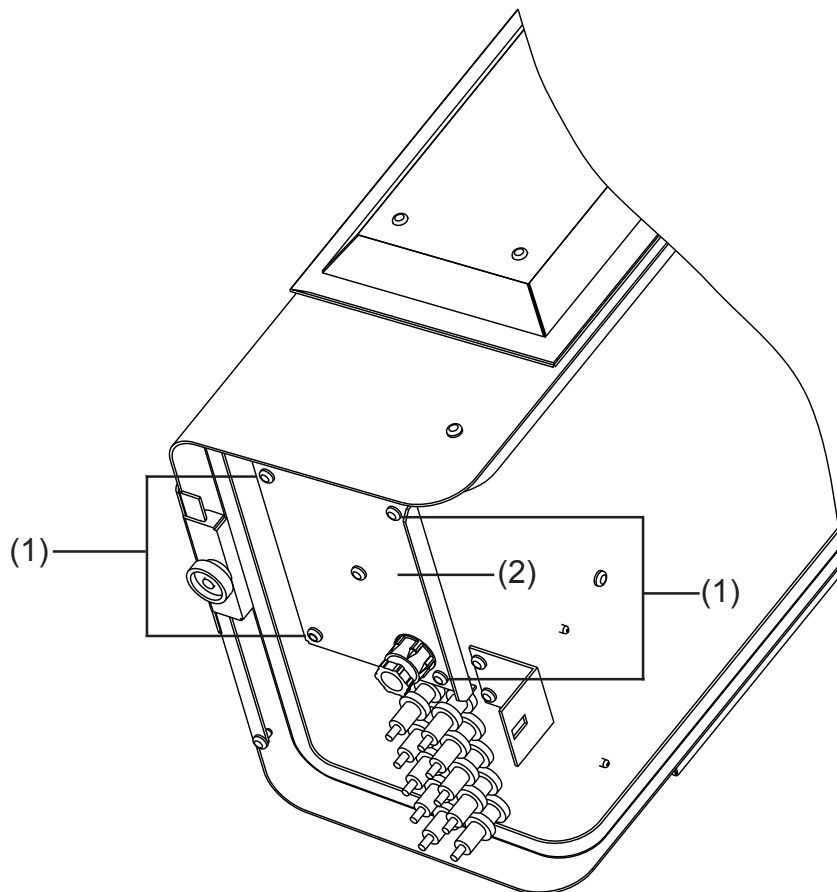
- (3) connection section is open
- (4) power stage

Warning! Hazard due to supply voltage and DC-voltage from the solar modules. Only Fronius-trained service staff are authorized to open the separately insulation-enclosed power stage

- loosen securing screw (5) and remove wall mounting frame

FRONIUS IG
Outdoors

- loosen four screws (1)
- remove cover (2)



Installation

Choosing the location general

Make the best possible use of your FRONIUS IG unit by additionally observing the following conditions:

- mains impedance should not be unnecessarily increased by a too narrow AC conductor cable cross section between the FRONIUS IG unit and the in-house distribution panel. The AC conductor cable resistance between the FRONIUS IG unit and the house distribution panel must not exceed 0,5 Ohm.
- install it only on a solid vertical wall
- The ambient temperature should not be under minus 20 degrees or over 50 degrees centigrade.
- No objects must be located within a distance of 15 cm around the air vents on both sides of the FRONIUS IG unit
- Keep a lateral distance of 20 cm between individual FRONIUS IG units.
- The air flow direction within the inverter is from left to right (cold air intake left, hot air exit right).
- When installing the FRONIUS IG unit in a switch panel cabinet (or similar closed sections) it is necessary to make sure that the hot air which develops will be discharged by forced ventilation.

Choosing the location - indoor housing

The FRONIUS IG unit can only be installed inside buildings or on outside locations provided that they are protected from rain or snow.

- During certain operation phases the FRONIUS IG unit may develop a slight noise level, for this reason it should not be installed in the immediate vicinity of living areas
- the FRONIUS IG unit is not to be set up in areas where there is heavy dust development
- the FRONIUS IG unit is not to be set up in areas where there is heavy incidence of conducting dust particles (for example iron filings)
- the FRONIUS IG unit is to be installed at a height which keeps the display slightly below the position of your eyes in order to secure best possible readability of the display.
- The distance between the top edge of the FRONIUS IG and the ceiling should be approx. 30 cm.

Do not install the inverter in:

- areas with large amounts of dust
- areas with large amounts of conducting dust particles (e.g., iron filings)
- areas with corrosive gases, acids or salts
- areas where there is an increased risk of accidents, e.g., from farm animals (horses, cattle, sheep, pigs, etc.)
- stables or adjoining areas
- storage areas for hay, straw, chaff, animal feed, fertilizers, etc.

Choosing the location - indoor housing

(continued)

- storage or processing areas for fruit, vegetables or winegrowing products
- areas used in the preparation of grain, green fodder or animal feeds
- greenhouses

Choosing the location - outdoor housing

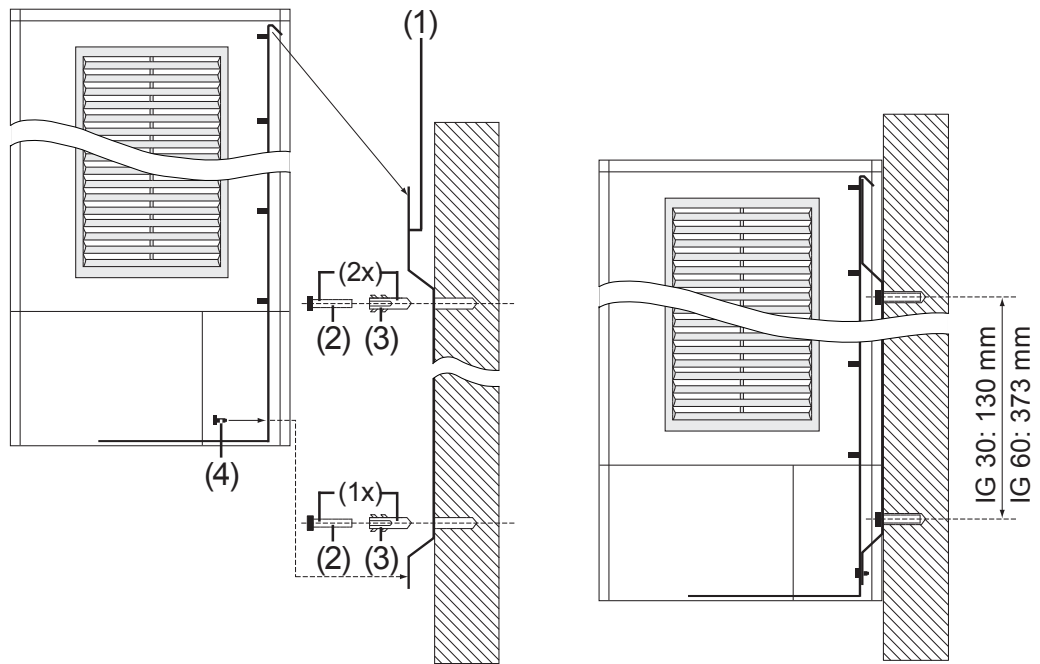
- The IP 45 protection system means that the FRONIUS IG can be exposed to moisture. However we recommend if possible that direct moisture is avoided.
- In spite of the IP 45 protection system the FRONIUS IG Outdoors should if possible not be exposed to the effects of the sun as there is no display film worldwide that is resistant to UV-Rays over a period of time. However to achieve a long life the FRONIUS IG Outdoors has an exterior casing and a display with a cover slide.
- The protection of the display unit provided by the cover slide also increases the life of the film. (The ideal situation is choosing a partially protected fitting position for the FRONIUS IG Outdoors with exterior casing e.g. in the area of the solar module, or under a projecting roof).
- FRONIUS IG can be installed vertically as well as horizontally - according to chapter „Fixing the wall mounting for FRONIUS IG Outdoors“.
- For use in environments with heavy dust development: If necessary remove the fan plates and clean the integrated fly screen

Do not install the inverter:

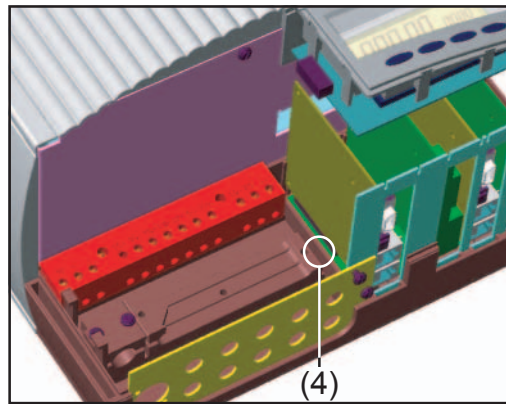
- where it can be exposed to ammonia, corrosive gasses, acids or salts (e.g., fertilizer storage areas, vent openings of livestock stables, chemical plants, tanneries)

Fixing the wall mounting frame for indoor housing

! Hazard due to supply voltage and DC-voltage from the solar modules. Only licensed electricity installers are authorized to open the connection area.



Fixing the wall mounting frame for indoor housing (continued)



Important! Dowels and screws are not included as there are too many different types on the market to suit different wall surfaces.

- fix wall mounting frame (1) with suitable screws (2) and dowels (3) on to a solid base.
- Open the connection area of the FRONIUS IG unit (chapter „Opening the Housing“)

! **Caution!** There is a danger of the machine toppling over. Hang the FRONIUS IG unit into the wall mounting frame and secure it with screw (4) in the connection area.

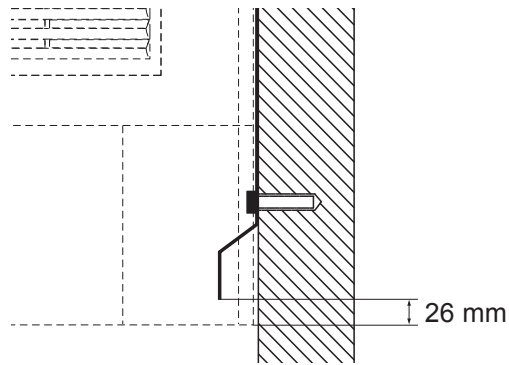
- install AC and DC cable as described in chapter „Connection“.
- close connection area and mount cover by means of tightening screw.

The housing is designed for a cable channel of up to 50 mm height which can be located directly below the connection area, without

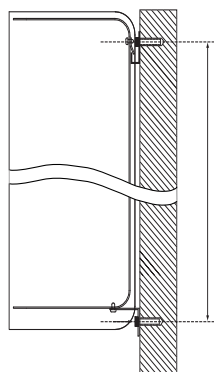
- cables visible below the FRONIUS IG unit
- impairing access to the connection area and the slot-in board area

Fixing the wall mounting frame for indoor housing
(continued)

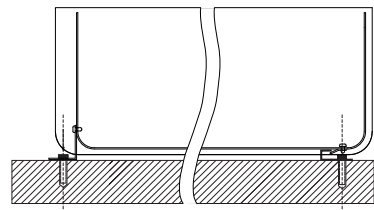
Important! Should a cable channel be located below the FRONIUS IG unit, the following must be observed:
- lower edge of FRONIUS IG unit will be located exactly 26 mm beneath the wall mounting frame



Fixing the wall mounting frame for FRONIUS IG Outdoors



vertical mounting position

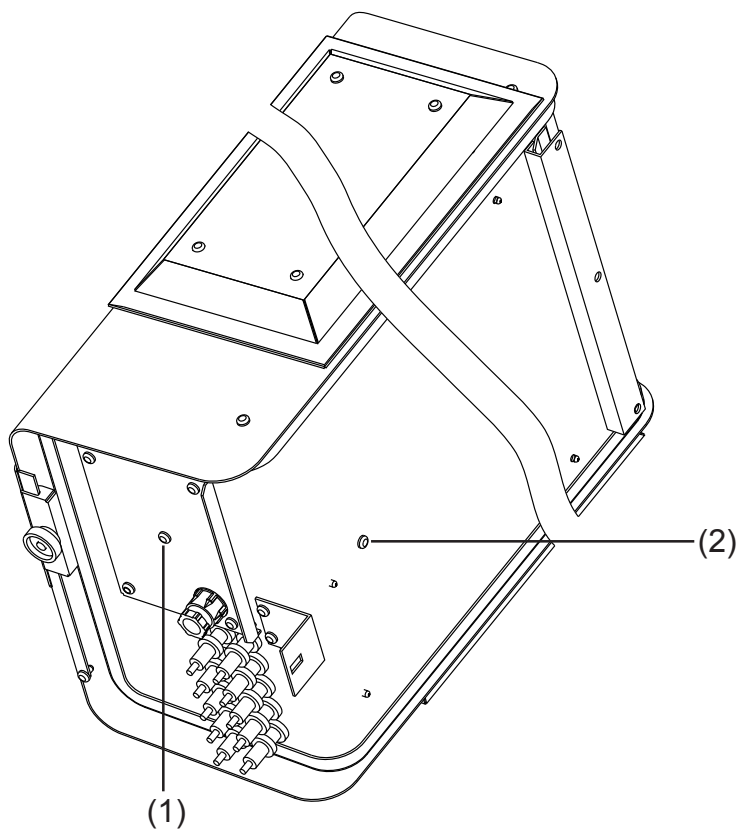


horizontal mounting position

Important! According to the illustration above the wall mounting frame can be mounted for horizontal position as well as for vertical position of the FRONIUS IG.

For draining seeped-in water:

- Vertical mounting position: remove draining screw (1)
- Horizontal mounting position: remove draining screw (2)

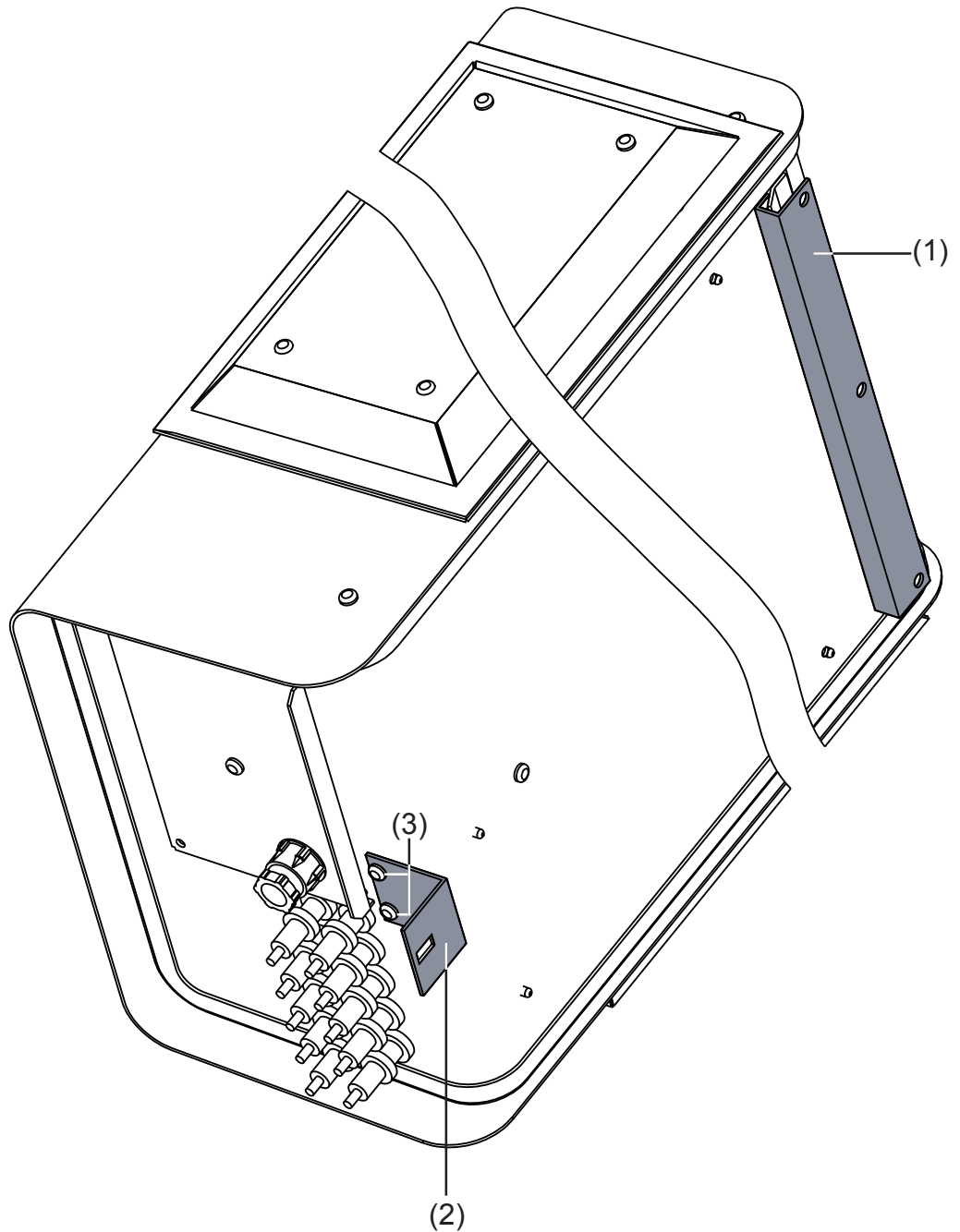


**Fixing the wall
mounting
frame for
FRONIUS IG
Outdoors**
(continued)

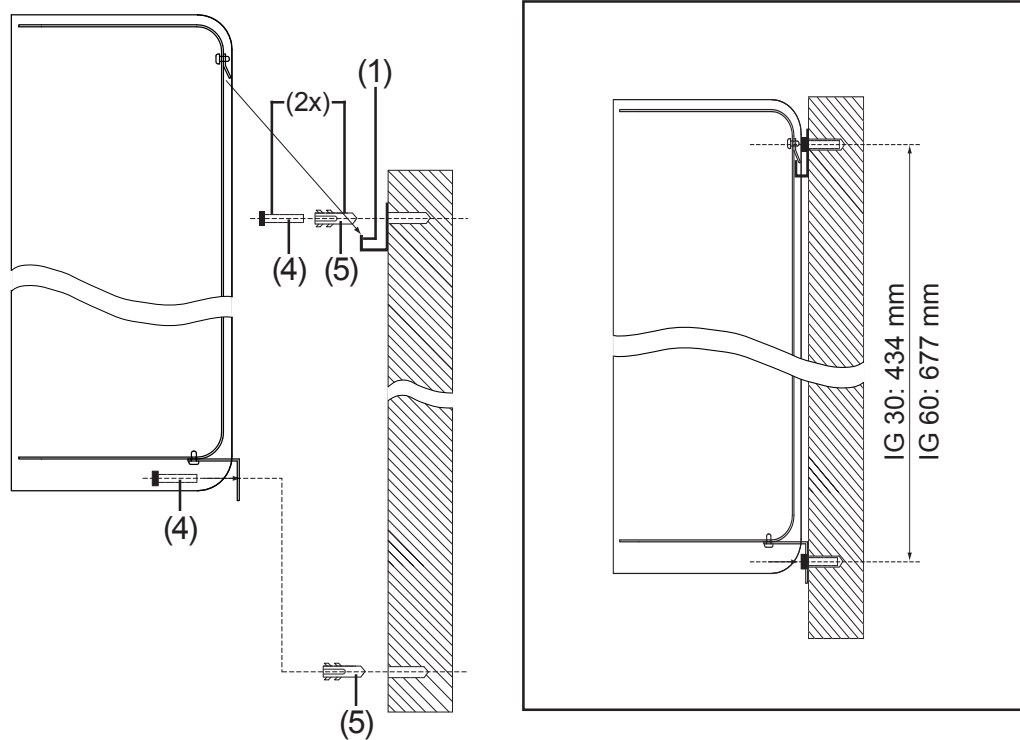
The following illustration shows both parts (1) and (2) of the wall bracket. Both parts are included with the FRONIUS IG. The illustration shows how the FRONIUS IG is hung in part (1).

Part (2) is fitted as follows:

- Slacken the screws (3) on the bottom of the FRONIUS IG
- Fit part (2) using the screws (3)



Fixing the wall mounting frame for FRONIUS IG Outdoors
(continued)



Note! Rawl plugs and screws are not included as every base surface requires different ones.

- Fit part (1) of the wall mounting to a solid base surface using suitable screws (3) and rawl plugs (4)
- Open on the FRONIUS IG connecting area (section „Open housing“)

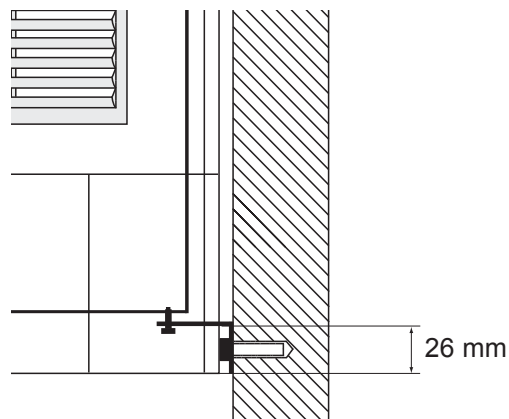


Caution! There is a danger of the machine toppling over if the FRONIUS IG is not secured using part (2) of the wall bracket. Hang the FRONIUS IG into part (1) of the wall bracket and secure using part (2) of the wall bracket.

- Fit part (2) of the wall bracket using suitable screws and rawl plugs.
- Fit AC and DC cables as described in the section „Connection“

Important! Pay attention to the following if a cable duct is fitted underneath the FRONIUS IG:

- The bottom edge of the FRONIUS IG is exactly 26 mm underneath the top edge of part (2) of the wall bracket



Connection

Connection to the Solar Modules and to the Public Mains


Solar modules The following points are important for the most economic use of the FRONIUS IG unit when choosing suitable solar modules:


- the no-load voltage increases when temperature decreases with insolation remaining unchanged. Therefore the no-load voltage must not exceed 500 V - or 530 V for the IG 60 HV.

Whenever the no-load voltage of the solar modules exceeds 500 V - or 530 V for the IG 60 HV - the FRONIUS IG unit will be destroyed, and all warranty rights will become null and void.

- More exact data for dimensioning the solar modules for the location chosen can be obtained using calculation schemes such as the FRONIUS configurator (available on www.fronius.com).

Mains network monitoring As your FRONIUS IG unit need be connected to only one phase of the mains network, it can be installed in almost any part of the house.

 **Warning!** In order to ensure the best possible functioning of the mains monitoring system, it is important to make sure that there is a minimum of resistance in the feeding lines to the connection point. The AC conductor resistance between the FRONIUS IG unit and the house distribution panel must not exceed 0,5 Ohm.

 **Warning!** Hazard due to supply voltage and DC-voltage from the solar modules. Only licenced electricity installers are authorized to open the connection area and only provided that it is not under voltage.

Schemes with more than one inverter For larger photovoltaic schemes it is possible to connect several FRONIUS IG units in parallel without any problems.

In order to secure a symmetric feed-in of the power supply, the FRONIUS IG units should be connected evenly to all 3 phases.

If you have any doubt you should approach your specialized dealer whenever there are technical problems.

AC-side over-current protection

Important! We recommend the following for AC-side overcurrent protection:

- A separate 16 A fuse for each Fronius IG 15 and 30
- A separate 25 A fuse for each Fronius IG 40 and 60
- Alternative for Fronius IG 40 and 60: 32 A automatic circuit breaker, type „C“



Note! A residual current circuit breaker for the AC connecting cable may be required depending on local regulations, the power supply company as well as other conditions. A type A residual current circuit breaker is generally sufficient in this case. However, false alarms can be triggered for the residual current circuit breaker in individual cases and depending on local conditions.

For this reason, Fronius recommends that you use a residual current circuit breaker suitable for a frequency converter.

The residual current circuit breaker for each individual inverter must have a rated current of at least 30 mA.

Connection alternatives

Depending on the options installed in your FRONIUS IG unit, you have the following alternatives to connect the solar inverter at the DC solar modules and to the public AC mains:

1. Terminal block (connection within the housing)
2. DC plug (choice of up to 5 DC sockets, AC connection within the housing)
3. DC plug and AC plug connection (choice of up to 5 DC plug pairs, AC plug connection)
4. FRONIUS IG Outdoors

The following chapters show the connection of the FRONIUS IG unit separately for each one of the connection alternatives.

1. Terminal block

- Fix the FRONIUS IG unit to the wall as shown in chapter „Installation“.

The housing is designed for a cable channel of up to 50 mm height which can be located directly below the connection area, without

- cables visible below the FRONIUS IG unit
- impairing access to the connection area and the slot-in board area

Permissible cross-sections for AC and DC connection cables:

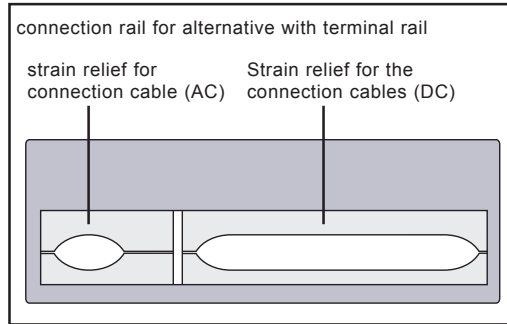
- cable without wire end ferrules: 6 mm² and 10 mm²
- cable with wire end ferrules: 6 mm²

Note! Tighten the screws of the terminal strip with 1.8 Nm.

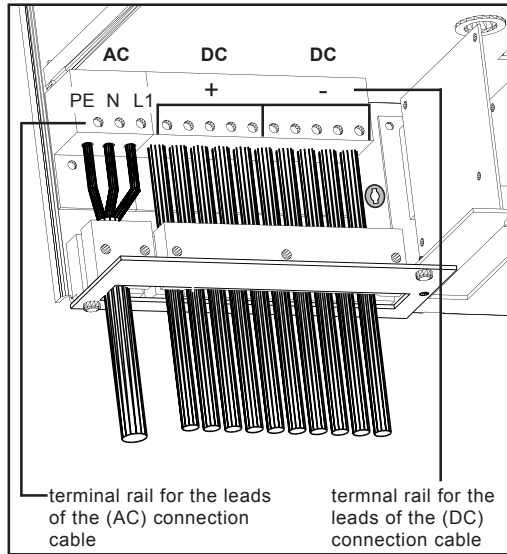
1. Terminal block (continued)



Note! Tighten the screws of the terminal strip with 1.8 Nm.



- feed the 3 pole connection cable to the public mains through the connector rail and strain relief device and slide it into the terminal block
- connect the leads of the connection cable as marked on terminal

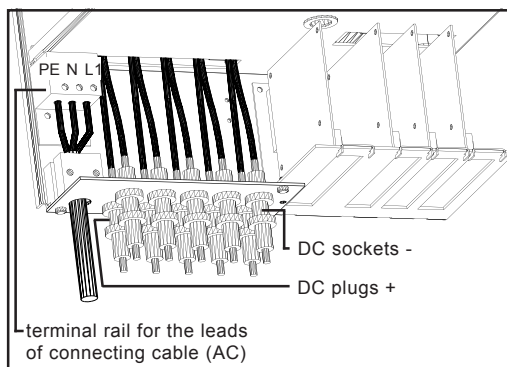


- lead the connection cable for the DC supply through the connector rail and strain relief device and slide it into the terminal block
- connect the leads of the connection cable according to terminal markings
- fix the connection cables with the strain relief device
- close connection area

2. DC plug

For easier installation and maintenance the solar modules are connected via a contact- voltage-proof plug connection with a choice between one and five plug pairs

- fix the FRONIUS IG unit on the wall as shown in chapter „Installation“



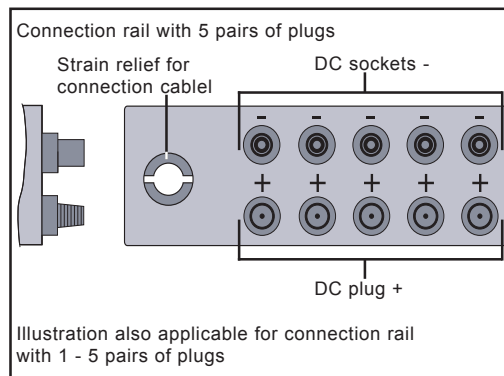
- open connection area - see chapter „Open the Housing“
- slide the 3 pole connection cable for the public mains through the connection plate and strain relief into the terminal block
- connect the leads of the connection cable as marked on the terminal

2. DC plug (continued)

- fix connection cable with strain relief device
- close connection area, install cover

DC plug example: multicontact plug

- max. current at MC3 = 20 A
- max. current at MC4 = 30 A



Note! When installing the DC plugs for connection with the solar modules, make sure that the poles of the solar modules correctly correspond with the symbols „+“ and „-“.

- install the multicontact plugs at plus and minus poles of solar module strings
- connect the strings to the FRONIUS IG unit

Note! Never disconnect the DC plugs from the respective sockets during power feed operation of the FRONIUS IG unit. Before disconnecting the strings always first disconnect the mains supply or switch the FRONIUS IG to standby operation.

Not complying with this instruction may damage the connection plugs.

Should an electric arc develop during disconnecting, both plug and socket must be replaced. Do not re-use defective DC plugs.

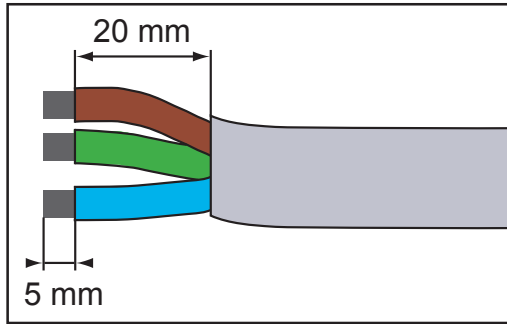
3. AC plug connection and DC plug

To make installation and maintenance work easier, the solar modules and the mains are connected with plugs. Depending on which version is used, up to five pairs of DC plugs are available for connecting the solar modules. Connection to the mains is effected by means of a touchproof AC plug which can be latched.

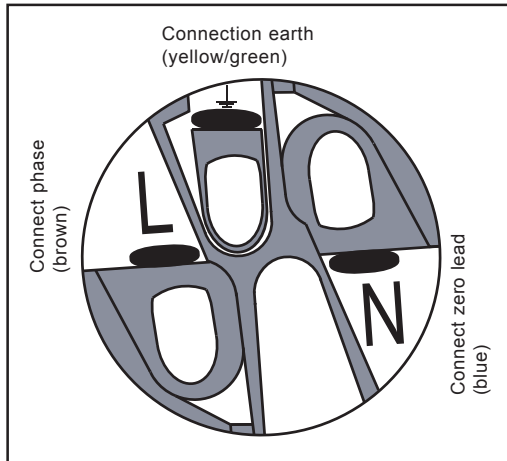
- Fix the FRONIUS IG unit on the wall as shown in chapter „Installation“

Note! Only cables up to a cross section of 4 mm² are permitted for the AC-plug-type connector.

3. AC plug connection and DC plug (continued)

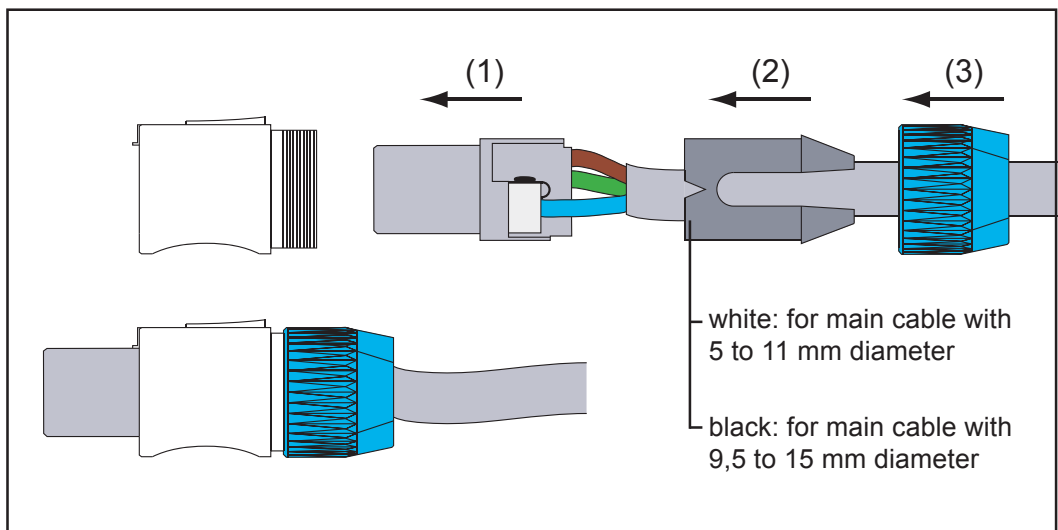


Bare the mains cable as shown in the illustration for the AC-plug-type connector



Install the AC plug as follows:

- slide parts (2) and (3) on to the mains cable as shown in the illustration below
- connect the mains cable leads with the AC plug as shown in opposite illustration



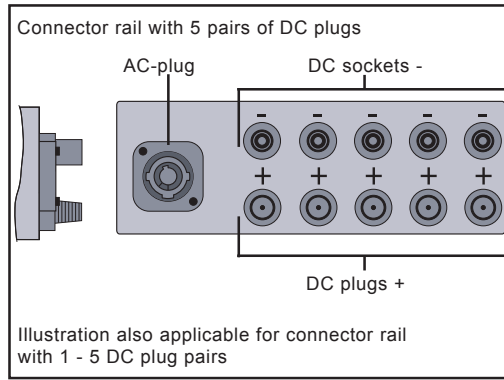
- assemble AC plug
- connect AC plug to FRONIUS IG unit and latch

Note! Always shut off voltage before unplugging the AC connection by disconnecting fuse in the house distribution cabinet.

DC plug example: multicontact plug

- max. current at MC3 = 20 A
- max. current at MC4 = 30 A

3. AC plug connection and DC plug (continued)



Note! When installing DC connections for solar modules make sure that the plus and minus poles correspond with the respective symbols.

- install DC connections on the plus and minus pole of the strings on the solar modules
- plug the strings on to the FRONIUS IG unit

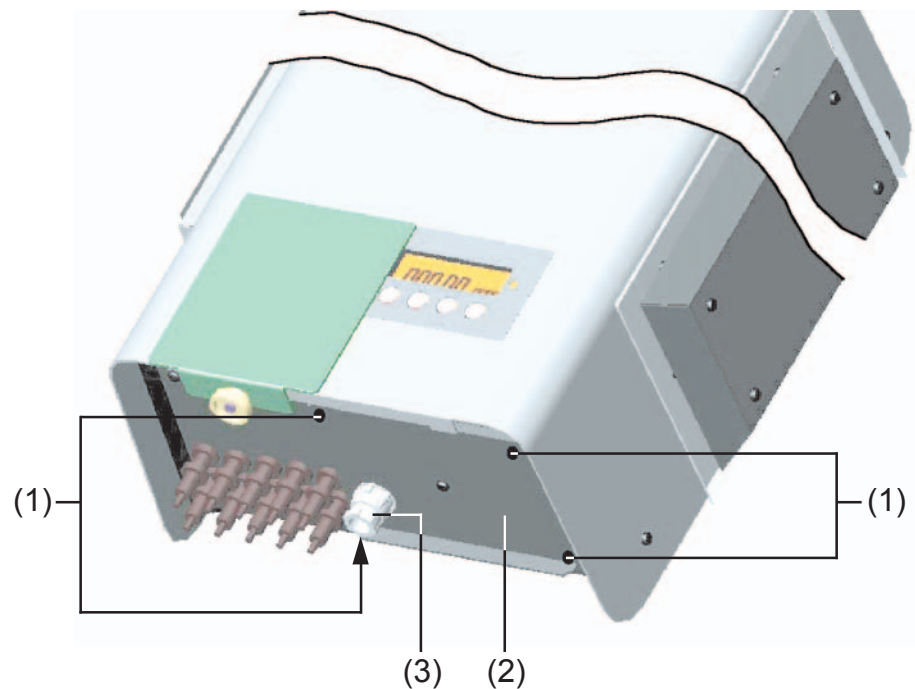
Note! Never disconnect the DC connections of the FRONIUS IG unit from the sockets when it is in operation of feeding power supply. Before disconnecting the strings, always first disconnect fuse in the house distributor panel.

Failing to comply with this instruction may damage the plug connections.

Should an electric arc develop during unplugging, both plug and socket must be replaced. Never re-use damaged DC connections.

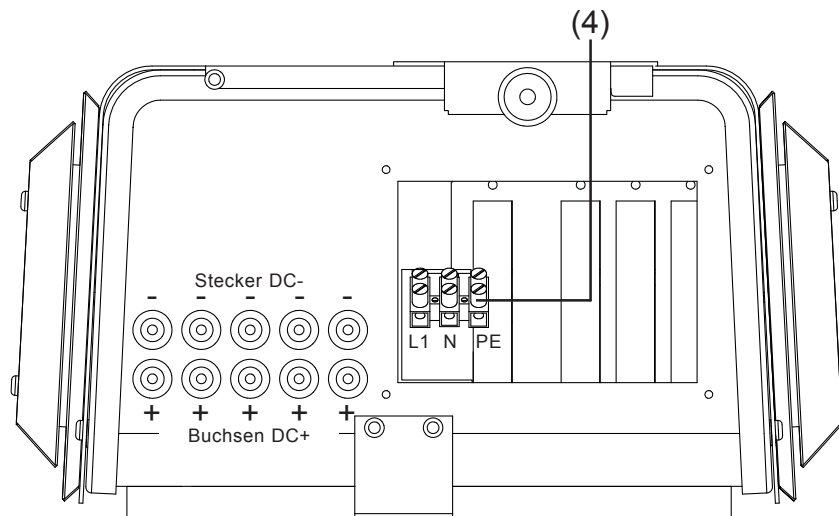
4. FRONIUS IG Outdoors

- fix the FRONIUS IG unit on the wall as shown in chapter „Installation“
- loosen four tightening screws at the cover (2)
- detach cover (2)
- loosen strain relief device (3) at the cover (2)



4. FRONIUS IG Outdoors (continued)


- lead the 3 pole connection cable to the public mains through connector rail (3) and strain relief device and slide it into the terminal block (4)
- connect the leads of the connection cable as marked on terminal block




- fix cover (2) with four tightening screws (1)
- fix connection cable with strain relief device (3)

DC plug example: multicontact plug

- max. current at MC3 = 20 A
- max. current at MC4 = 30 A

 **Note!** When installing DC connections for solar modules make sure that the plus and minus poles correspond with the respective symbols.

- install DC connections on the plus and minus pole of the strings on the solar modules
- plug the strings on to the FRONIUS IG unit

 **Note!** Never disconnect the DC plugs of the FRONIUS IG unit from the sockets when it is in operation of feeding power supply. Before disconnecting the strings, always first disconnect fuse in the house distributor panel.

Failing to comply with this instruction may damage the plug connections.

Should an electric arc develop during unplugging, both plug and socket must be replaced. Never re-use damaged DC plugs.

Start up Operation

Configuring your Inverter

Factory pre-set configuration

Your FRONIUS IG unit has been pre-configured in the factory and is ready for operation.

After connecting the FRONIUS IG unit to the solar modules (DC) and to the public utility mains (AC), all you have to do is close the AC and DC isolating switch.



- as soon as the photovoltaic modules produce sufficient power, the LED lights up orange and the screen starts displaying the startup procedure
- the orange light of the LED indicates that the automatic startup procedure of the FRONIUS IG unit will begin shortly
- after the FRONIUS IG unit has started automatically, the LED light turns green
- the LED light continues green as long as power supply is fed into the mains, it confirms that the operation continues to function without fault.

In case the initial operation of your FRONIUS IG unit does not proceed as shown above and the FRONIUS IG unit does not start feeding power supply into the mains network, you should consult the chapter „Error Diagnosis and Repair“

Your personal configuration

For your personal configuration please consult the chapter „Operating Scheme“, section „Setup Menu“ of your operating instructions.

For settings to connect more than one inverter at the LocalNet (such as numbering of the bus partners connected/system upgrading) please consult the chapter LocalNet

LocalNet

System upgrading /slot-in board system

- Your FRONIUS IG is pre-set for quite a number of system upgrades:
- data recorder (for recording and managing the data of your photovoltaic system on your personal computer) including modem tie in, wie z.B.:
 - data recorder (for recording and managing photovoltaic system data on your PC) including data recorder and modem connection
 - Various large displays (FRONIUS IG Public Display)
 - Actuators / Relays / Alarm (FRONIUS IG Signal Card)
 - Sensors (Thermosensors / Irradiance/ Metering)

The system upgrades are available in slot-in boards as you have them for your personal computer. To increase flexibility, several system upgrades can be obtained also with external housing. Your FRONIUS IG unit is pre-set to accept slot-in boards within the housing.

Fronius has developed the LocalNet in order to provide unrestricted individual use of the system's upgrade possibilities. For more flexibility the system upgrades are also available in a version with external housing.

Data recorder

The data recorder is the core of the LocalNet. It coordinates data transmission and ensures quick and safe distribution also of larger data volumes.

COM Card

In order to tie in the FRONIUS IG unit with the LocalNet, the following system upgrading is required (slot-in board)

- COM card for exchanging data between your FRONIUS IG unit and the LocalNet, including the respective upgradings

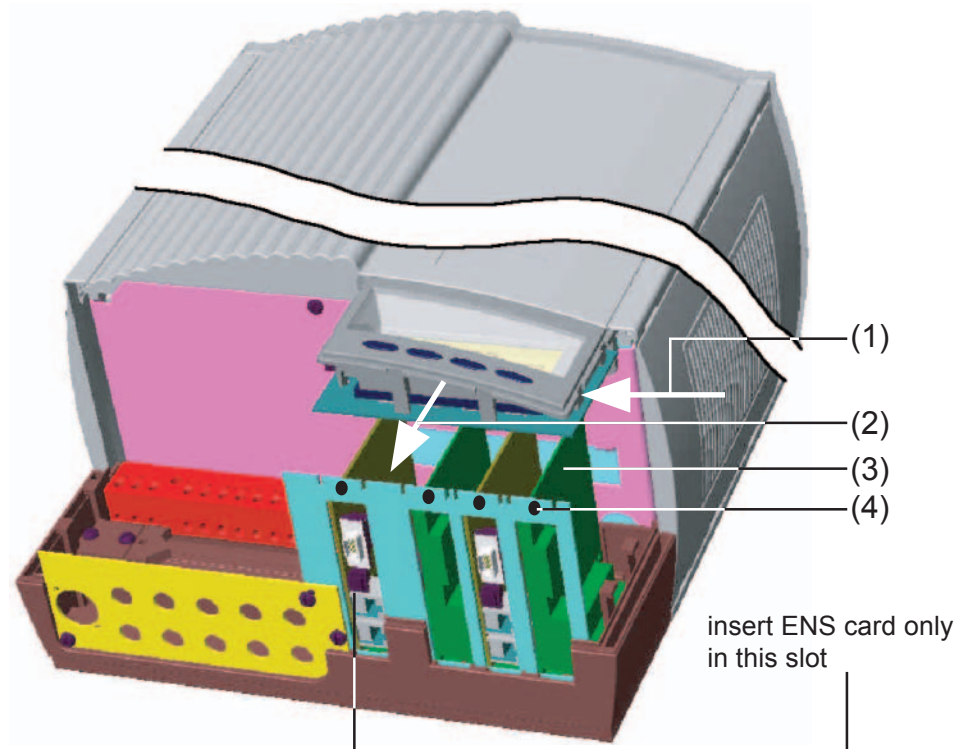


Note! Should the data recorder collect only data of one single photovoltaic converter, a COM card is nevertheless required. In this case the COM card is needed to couple the internal network of your FRONIUS IG with the LocalNet interface of the data recorder.

Insert slot-in boards, FRONIUS IG (Installation for indoor housing)

For inserting the system upgrade slot-in boards proceed as follows:

Warning! Hazard due to supply voltage and DC-voltage from the solar modules. Only licensed electricity installers are authorized to open the connection area and only on condition that is not under voltage.



Insert slot-in boards, FRONIUS IG (Installation for indoor housing)

(continued)

- open connection area - see chapter „Open the Housing“
- slide display towards the left side (1) and remove it from the front (2)
- loosen fastening screw and remove board slot cover

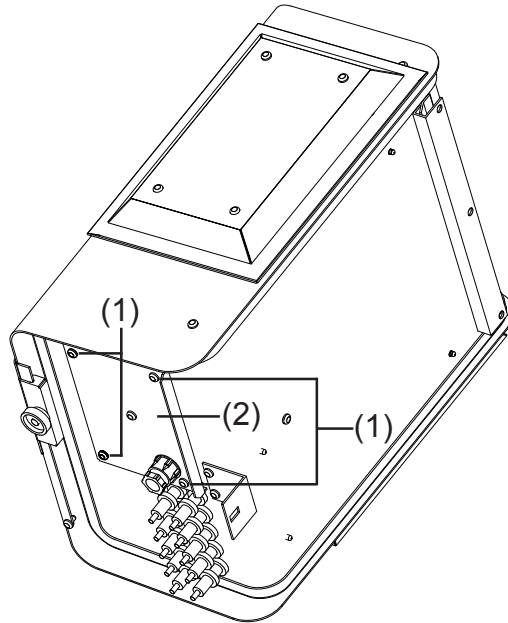
Note! In dealing with slot-in boards please observe the general ESD regulations.

- insert board (3) in any one of the slots
- tighten board (3) with fastening screw (4)


For versions for countries where the ENS card is a standard requirement, the unit will not operate without this card. Legal regulations require a safety system which does not allow operation of the FRONIUS IG without installation of ENS.

- power supply feeding operation can be resumed as soon as the ENS card is placed back in the slot (slot on the left outside, see illustration)


Insert slot-in boards, FRONIUS IG (for external mounting)



- Release four screws (1)
- Remove cover (2)
- Release fastening screw (4) and remove cover the relevant slot (see illustration in the section „Insert slot-in boards FRONIUS IG (for indoor housing)“.

 **Note!** When dealing with slot-in boards, please observe general ESD regulations.

- Insert board (3) in any of the slots
- Attach the board (3) with fastening screw (4)

 **Note!** Please see the versions and notes for the ENS card (in the chapter „Insert slot-in card (for indoor housing)“.

Configuration

LocalNet automatically identifies different system upgrades (data recorder, sensor card, ...)

To differentiate between several identical system upgrades, the respective units must have an individual number.

To define each FRONIUS IG clearly in the LocalNet, an individual number must also be allocated to each FRONIUS IG.

For the respective procedure, please consult the chapter „Setup Menu“ in your operating instructions.

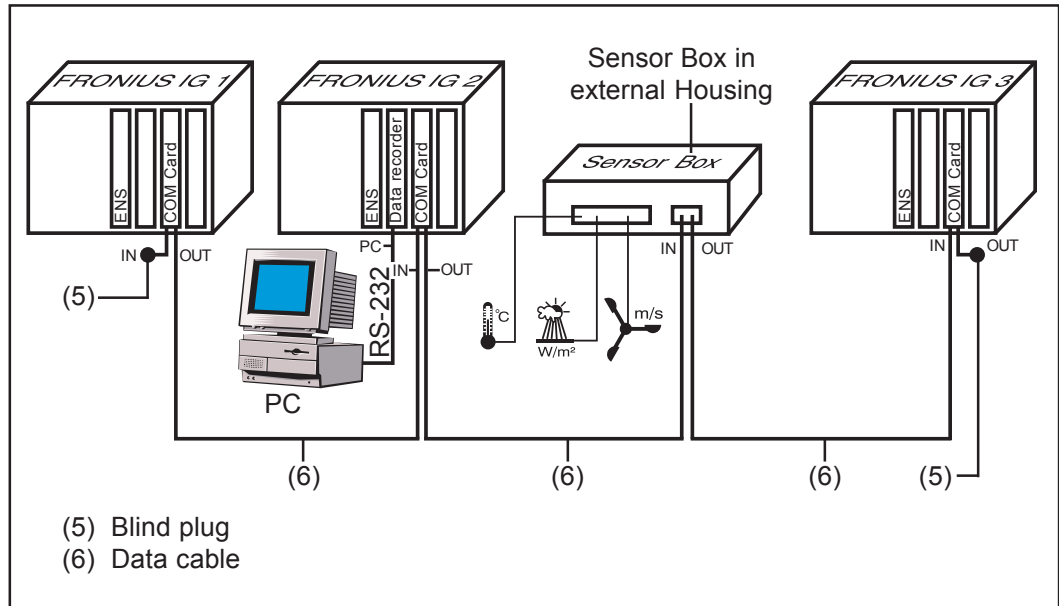
Example

Example: Recording and archiving inverter and sensor data by means of a datalogger card and sensor box.

The cards communicate within the FRONIUS IG unit via its internal network. External communication (LocalNet) is effected via the COM cards. Each COM card has two RS-485 interfaces for entry and exit. Connection is effected with RJ45 plugs.

The first FRONIUS IG unit with COM card can be located at a distance of up to 1000 m from the last FRONIUS IG unit with COM card.

Example
(continued)



- Equipping a FRONIUS IG with a datalogger card
(Illustration: FRONIUS IG 2)
- Equipping all FRONIUS IGs with a COM Card

The data recorder has two RS-232 interfaces for the connection with personal computer and modem.



Note! Basically the order of sequence for placing the cards does not matter.

Important however is:

- One FRONIUS IG can have only **one** COM card
- One network can contain only **one** data recorder.

More information on the various system upgrade possibilities you will find in the respective service manuals or in the internet under www.fronius.com.

Status diagnosis and repair

Service-Codes Displayed

Service display

Your FRONIUS IG unit is equipped with a self diagnostic system which automatically identifies a large number of possible defects by itself and displays them on the screen. It is thus possible to quickly ascertain defects in the FRONIUS IG unit, in the photovoltaic system as well as installation and operation errors.

Whenever the self diagnostic system has identified a particular defect, the respective service code is displayed on the screen.



Note! Display of a service code for a short time may be a result of the control procedure of your FRONIUS IG unit. If subsequently it continues to operate normally, there has not been a case of an error.

General service codes

As long as the no load voltage of the solar modules is not sufficient, the screen displays the information „DC_{LOW}“.



As soon as the no-load voltage exceeds 150 V, the FRONIUS IG unit starts synchronizing the network (display shows „SYNC_{AC}“).

As long as the power output at the solar modules is insufficient, the display shows the message „POWER_{LOW}“.



After a short time of waiting the FRONIUS IG resumes network synchronization (message: „SYNC_{AC}“).

Complete failure

Should the display remain dark for a longer period of time after sunrise you must check the no-load voltage of the solar modules.

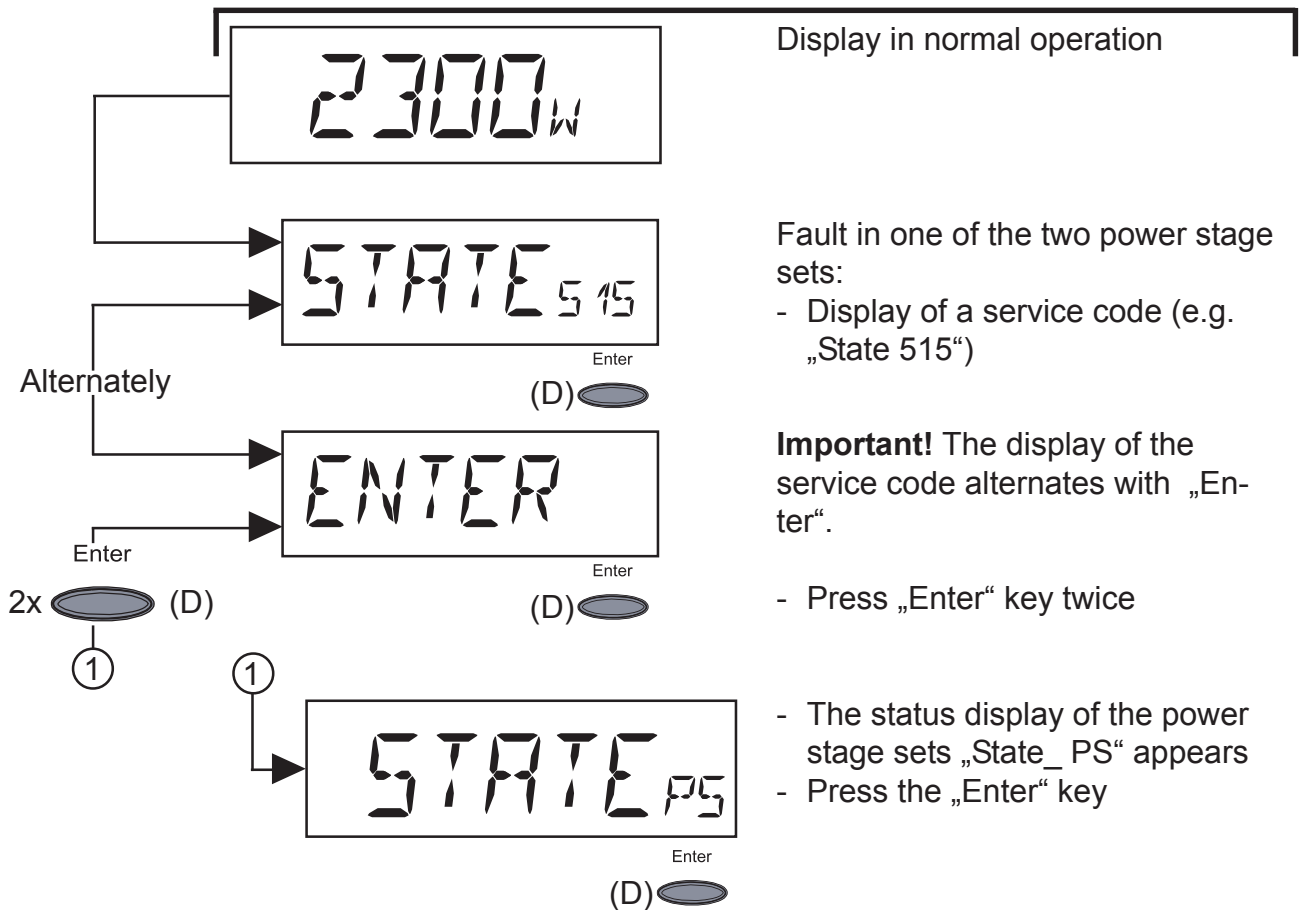
Should the no-load voltage of the modules (at the connecting points of the FRONIUS IG UNIT) not reach 160 V, it is possibly the case of a defect in the remaining part of the photovoltaic system.

If the no-load voltage of the solar modules (at the connection points of the FRONIUS IG unit) amounts to more than 160 V, there may be a basic defect in the FRONIUS IG unit. In this case you must consult a Fronius trained service technician.

FRONIUS IG with several power stage sets

A special status diagnostic is run if an error occurs in a FRONIUS IG with several power stage sets. The examples shown below illustrate the trouble-shooting process.

Important! It is also possible to call up status messages even if there is no actual error in existence. This form of status polling may be found in the set-up menu.



Important! Please see the Section entitled „The Set-Up Menu“, „STATE_PS“ for how to proceed.

Class 1



Service codes of service class 1 appear mostly only temporarily, their cause lies in the public mains network.

The first reaction of your FRONIUS IG unit is to disconnect from the mains. Subsequently the mains network will be checked for the duration of the observation period stipulated. If after the end of this period no further defect is identified, your FRONIUS IG unit resumes operating and feeding power into the mains network.

The following schedule lists a number of service codes with their respective designation, description, and repair measures.

Code	Designation	Description	Repair
101	Mains voltage not within admissible range	As soon as the mains voltage, after detailed check procedure has returned to admissible range, FRONIUS IG resumes feeding power into the mains network	Check mains voltage If the service code does not disappear you should contact your installation specialist
104	Mains frequency not within admissible range	As soon as mains frequency after detailed check procedure has returned to admissible range, FRONIUS IG resumes feeding power into the mains network	Check mains frequency If the service code does not disappear you should contact your installation specialist
107	AC mains network not available	As soon as the mains network conditions after detailed check procedure have returned to admissible range, FRONIUS IG resumes feeding power into the mains network	Check mains connections and fuses If the service code does not disappear you should contact your installation specialist
108	Islanding detected	FRONIUS IG resumes feeding power into the mains network as soon as the mains network conditions have returned to the permissible range following detailed checking procedures.	Contact your installation specialist if the service code fails to disappear.

Class 2



Service class 2 codes can only arise in connection with the ENS option.

Class 2 service codes are also related to the parameters of the mains network. Some of the checking procedures therefore overlap with those of service class 1. Your FRONIUS IG unwill react in the same way as in the case of service codes in service class 1.

Code	Designation	Description	Repair
201	Excessive mains voltage	As soon as the mains voltage, after detailed check, has returned to the admissible range, your FRONIUS IG resumes feeding power into the mains network	Check mains voltage If the service code does not disappear, you should contact your installation specialist
202	Insufficient mains voltage	As soon as the mains voltage, after a detailed check, has returned to the admissible range, your FRONIUS IG resumes feeding power into the mains network	Check mains voltage If the service code does not disappear, you should contact your installation specialist
203	Excessive mains frequency	As soon as the mains frequency, after a detailed check, has returned to the admissible range, your FRONIUS IG resumes feeding power into the mains network	Check mains frequency If the service code does not disappear, you should contact your installation specialist
204	Insufficient mains frequency	As soon as the mains frequency, after a detailed check, has returned to the admissible range, your FRONIUS IG resumes feeding power into the mains network	Check mains frequency If the service code does not disappear, you should contact your installation specialist
205	Imbalance of mains network impedance	As soon as the mains impedance after a detailed check, has returned to the admissible range, your FRONIUS IG resumes feeding power into the mains network	Imbalance reaction can be only short termed
206	Absolute reading of mains impedance too high	As soon as the mains impedance after detailed checking, has returned to the admissible range, your FRONIUS IG resumes feeding power into the mains network	Check in-house line cable cross section
207	Problems with the mains relay	ENS recognises a faulty mains relay	Check ENS-Jumper If Service-Code is displayed permanently, you should contact a Fronius trained service technician

Class 2
(continued)

Code	Designation	Description	Repair
208	Problems with the mains relay	ENS recognises a faulty mains relay	If Service-Code is displayed permanently, you should contact a Fronius trained service technician

Class 3



Service class 3 comprises service codes which may appear during operation of feeding power supply, which however basically do not cause a permanent interruption of the operation of feeding power into the mains. After automatic disconnection from the mains and monitoring of the mains as stipulated, your FRONIUS IG unit will try to resume the feeding operation.

Code	Designation	Description	Repair
301	overload current (AC)	Short interruption of power supply feeding into mains network caused by overload current FRONIUS IG resumes starting up phase	automatically by itself Should the service load appear permanently you should contact your installation specialist
302	overload current (DC)	Short interruption of power supply feeding into mains network caused by overload current FRONIUS IG resumes starting up phase	automatically by itself Should the service load appear permanently you should contact your installation specialist
303 *	temperature excursion AC side	Short interruption of power supply feeding into mains network caused by temperature excursion air vents clogged	after a two minutes' cooling phase your FRONIUS IG unit begins starting up again clean air vents. Should the service load appear permanently you should contact your installation specialist
304 *	temperature excursion DC-side	Short interruption of power supply feeding into mains network caused by temperature excursion air vents clogged	after a two minutes' cooling phase your FRONIUS IG unit begins starting up again clean air vents. Should the service load appear permanently you should contact your installation specialist

* Service code 303 and 304 are shown briefly under certain circumstances. A brief display of the service codes 303 and 304 does not mean there is a fault.

Class 4



Class 4 service codes require in some cases the intervention of a trained Fronius service technician.

Code	Designation	Description	Repair
401	no internal communication with power stage	If it is possible, your FRONIUS IG unit will resume the power feeding operation after successfully completing another attempt to connect	If an error code is displayed permanently, you should contact a Fronius trained service technician
402	no internal communication with ENS	If it is possible, your FRONIUS IG unit will resume the power feeding operation after successfully completing another attempt to connect	If Service-Code is displayed permanently, you should contact a Fronius trained service technician
403	EEPROM faulty	If it is possible, your FRONIUS IG unit will resume the power feeding operation after successfully completing another attempt to connect	If Service-Code is displayed permanently, you should contact a Fronius trained service technician
404	No communication possible between the control unit and ENS	If it is possible, your FRONIUS IG unit will resume the power feeding operation after successfully completing another attempt to connect	FRONIUS IG has no network connection. Check if the mains supply isolator is switched on If Service-Code is displayed permanently, you should contact a Fronius trained service technician
405	Incorrect or faulty ENS-card	If it is possible, your FRONIUS IG unit will resume the power feeding operation after successfully completing another attempt to connect	If Service-Code is displayed permanently, you should contact a Fronius trained service technician
406	AC temperature sensor faulty	FRONIUS IG disconnects from the mains supply for safety reasons	If Service-Code is displayed permanently, you should contact a Fronius trained service technician
407	DC temperature sensor faulty	FRONIUS IG disconnects from the mains supply for safety reasons	If Service-Code is displayed permanently, you should contact a Fronius trained service technician
408	Direct current input	FRONIUS IG disconnects from the mains supply for safety reasons	If Service-Code is displayed permanently, you should contact a Fronius trained service technician
409	No +15V supply available for the control electronics	FRONIUS IG does not switch itself onto the mains supply.	If Service-Code is displayed permanently, you should contact a Fronius trained service technician

Class 4
(continued)

Code	Designation	Description	Repair
410	Service plug was not inserted in its original position	2-pole plug inserted in the wrong socket.	If Service-Code is displayed permanently, you should contact a Fronius trained service technician
412	The setting voltage has been selected instead of the MPP-voltage operation and the setting voltage is set to too low a value.	Fixing voltage lower than the current MPP-voltage	Check the module voltage and change the PV generator connection if the input voltage is too high If Service-Code is displayed permanently, you should contact a Fronius trained service technician
413	Control problems	The FRONIUS IG briefly disconnects from the mains supply due to changed network requirements.	If Service-Code is displayed permanently, you should contact a Fronius trained service technician
414	EEPROM faulty	Memory component triggered	If Service-Code is displayed permanently, you should contact a Fronius trained service technician
415	No ENS enabling signal	Defect in the ENS micro-controller, lead to ENS faulty	If Service-Code is displayed permanently, contact a Fronius-trained service technician
416	Communication with IG-Ctrl not possible	Orange LED lights up, then the FRONIUS IG attempts a new start	If Service-Code is displayed permanently, contact a Fronius-trained service technician
417	Two power supplies have the same Print Number	The FRONIUS IG blocking, red LED displays critical errors	If Service-Code is displayed permanently, contact a Fronius-trained service technician
419	Two or more power supplies recognised with the identical software serial number.	The FRONIUS IG blocking, red LED displays critical errors	If Service-Code is displayed permanently, contact a Fronius-trained service technician
421	Print Number set incorrectly	The FRONIUS IG blocking, red LED displays critical errors	If Service-Code is displayed permanently, contact a Fronius-trained service technician
425	No communication possible with the power supply.	Orange LED lights up, then the FRONIUS IG attempts a new start	If Service-Code is displayed permanently, contact a Fronius-trained service technician
443	Energy transfer not possible	Orange LED lights up and then the FRONIUS IG attempts a restart	If the service code continues to be displayed: notify a Fronius-trained service technician

Class 5



Class 5 service codes generally do not impair the operation of feeding power into the mains network. They will be displayed so long until the service code displayed is cancelled by pressing a key (the FRONIUS IG unit, however, continues working normally in the background).

- press any key
- error message disappears

Code	Designation	Description	Repair
501	defective ventilator air vents blocked	In spite of insufficient power generation the temperature in the unit is too high	contact your installation specialists clean air vents
502	insufficient isolation value reading	In case of automatic monitoring of isolation by the FRONIUS IG unit, an isolation error against earthing has been recorded	check isolation of your photovoltaic system service code reappears: contact your installation specialist
504	communication not possible in LocalNet	FRONIUS IG address issued twice The LocalNet components required are in the FRONIUS IG unit: still, communication is possible	change FRONIUS IG address (chapter: "Setup Menu") Status message goes out after the FRONIUS IG address is altered.
505	EEPROM faulty	Data from the Setup menu is lost	Automatic rectification
506	EEPROM faulty	Data from the „Total“ menu is lost	Automatic rectification
507	EEPROM faulty	Data from the menu „Day“ / „Year“ is lost	Automatic rectification
508	FRONIUS IG address is faulty	Address for data communication is no longer saved	Set address again
509	24h no feed	e.g. solar module covered in snow	e.g. remove snow from solar module
510	EEPROM faulty	SMS settings were restored to standard	If necessary, reconfigure SMS
511	EEPROM faulty	Sensor card settings were restored to standard	If necessary, reconfigure metering channels
512	Too many power supplies in the system	Too many power supplies recognised in the system	If Service-Code is displayed permanently, contact a Fronius-trained service technician

Class 5
(continued)

Code	Designation	Description	Repair
514	No communication with one of the power stage sets	Warning message from one of the power stage sets, second power stage set working normally	Contact Fronius-trained service technician if service code is displayed permanently
515	Faulty plug-in connections	Temperature sensor DC/AC or DC/DC faulty, Service jumper located on „service“ plug-in station or „+15 V secondary“ not connected	Check plug-in connections
516	Status message present for one of the power stage sets	It is not possible to activate all power stage sets	Carry out analysis. Section entitled „The Set-Up Menu“, „State_PS“ for further details. Contact Fronius-trained service technician if service code is displayed permanently
517	Change of master has taken place	Transformer not connected/ not plugged in Bridge short-circuit Detection of intermediate circuit voltage damaged	Check possible errors referred to in „Description“. If service code is displayed permanently: contact Fronius-trained service technician.

Customer service

Important! contact your Fronius dealer or Fronius trained service partner if an error not mentioned in the schedule appears frequently or permanently.

Annex

Technical Data

Fronius IG 15 / 20 / 30

Input data	IG 15	IG 20	IG 30
Recommended PV power	1300-2000 Wp	1800-2700 Wp	2500-3600 Wp
MPP-voltage range	150 - 400 V		
Max. input voltage (at 1000 W/m ² / - 10°C in no-load operation)	500 V		
Max. input current	10,75 A	14,34 A	19 A
Output data	IG 15	IG 20	IG 30
Nominal output power (P _{nom})	1,3 kW	1,8 kW	2,5 kW
Max. output power	1,5 kW	2,05 kW	2,65 kW
Nominal mains voltage	230 V, +10 / -15 % *		
Nominal output current	5,7 A	7,8 A	10,9 A
Nominal frequency	50 +/-0,2 Hz *		
Total harmonic distortion	< 3%		
Power factor	1		
General data	IG 15	IG 20	IG 30
Maximum efficiency	94,2 %	94,3 %	94,3 %
Euro-efficiency	91,4 %	92,3 %	92,7 %
Consumption during night	0,15 W *		
Consumption during operation	7 W		
Cooling	controlled forced ventilation		
Protection type (indoor/outdoor housing)	IP 21 / IP 45		
Size l x w x h	366 x 344 x 220 mm / 500 x 435 x 225 mm		
Weight	9 kg / max. 13 kg		
Admissible ambient temperature (at 95% rel. humidity)	-20 ... 50 °C **		
Protection devices	IG 15	IG 20	IG 30
DC-isolation monitoring	Warning / Shut-off *** when R _{ISO} < 500 kilohms		
DC-excess voltage protection	integrated		
DC reverse polarity protection	integrated		
Reaction at DC-overload	shift of operating point		

*) Values given are standard. Your FRONIUS IG unit has been specifically adjusted in accordance with the regulations of your country.

**) The AC-output reduces (power-derating) when the ambient temperature is increased, from approx. 35 °C (dependent on the solar module voltage).

***) Depending on the country setup

Fronius IG 40 / 60 / 60 HV

Input data	IG 40	IG 60	IG 60 HV
Recommended PV power	3500-5500 Wp	4600-6700 Wp	4600-6700 Wp
MPP-voltage range	150 - 400 V		
Max. input voltage (at 1000 W/m ² / - 10°C in no-load)	500 V	500 V	530 V
Max. input current	29,4 A	35,84 A	35,84 A
Output data	IG 40	IG 60	IG 60 HV
Nominal output power (P _{nom})	3,5 kW	4,6 kW	4,6 kW
Max. output power	4,1 kW	5 kW	5 kW
Nominal mains voltage	230 V, +10 / -15 % *		
Nominal output current	15,22 A	20 A	20 A
Nominal frequency	50 +/-0,2 Hz *		
Total harmonic distortion	< 3%		
Power factor	1		
General data	IG 40	IG 60	IG 60 HV
Maximum efficiency	94,3 %	94,3 %	94,3 %
Euro-efficiency	93,5 %	93,5 %	93,5 %
Consumption during night	0,15 W *		
Consumption during operation	12 W		
Cooling	controlled forced ventilation		
Protection type (indoor/outdoor housing)	IP 21 / IP 45		
Size l x w x h	610 x 344 x 220 mm / 733 x 435 x 225 mm		
Weight	16 kg / max. 22 kg		
Admissible ambient temperature (at 95% rel. humidity)	-20 ... 50 °C **		
Protection devices	IG 40	IG 60	IG 60 HV
DC-isolation monitoring	Warning / Shut-off ***) when R _{ISO} < 500 kilohms		
DC-excess voltage protection	integrated		
DC reverse polarity protection	integrated		
Reaction at DC-overload	shift of operating point		

*) Values given are standard. Your FRONIUS IG unit has been specifically adjusted in accordance with the regulations of your country.

**) The AC-output reduces (power-derating) when the ambient temperature is increased, from approx. 35 °C (dependent on the solar module voltage).

***) Depending on the country setup

Our product complies with the following standards and regulations

The FRONIUS IG unit complies with the „Regulation for supply and parallel operation of low voltage network power generation systems for owner’s own use“ (Richtlinie für Anschluß und Parallelbetrieb von Eigenerzeugungsanlagen am Niederspannungsnetz) of VDEW, the German Association of Producers of Electric Energy (Verband der Elektrizitätswirtschaft).

In addition, all prerequisites of the applicable standards as well as regulations within the scope of the applicable EU (European Union) regulation are complied with, so that all equipment bears the CE label.

In countries with applicable regulations the FRONIUS IG unit is equipped with a circuit element to prevent isolated operation, as officially accepted by the German professional association „Berufsgenossenschaft für Feinmechanik und Elektrotechnik“ (professional association for precision mechanics and electricity technology) in accordance with the German standard DIN VDE 0126. This so-called ENS device is based on the principle of impedance monitoring (for of product reliability confirmation document see annex).

In the particular country versions both with as well as without ENS the monitoring and safety systems integrated in the FRONIUS IG as part of its standard equipment make sure that in case of a mains dropout (caused either by shutoff effected by the utility supplier or by power transmission line failure) the power supply feeding will be immediately interrupted.

In particular, the following standards and regulations are being complied with:

- EN 61000-3-2 (harmonic oscillations), EN 61000-6-2, EN 61000-6-3
- EN 6100-6-3 (EMV-interference emissions)
- EN 6100-6-2 (EMV-interference immunity)
- EN 50178 (electric safety)
- E DIN VDE 0126 (ENS:country versions with standard ENS card)
- Regulation 2004/108/EC electromagnetic compatibility
- Regulation 93/68/EECCE marking
- „Regulation for photovoltaic generation plants in parallel operation with the low voltage mains network of the utility electricity companies“, issued by VDEW, the Association of German Electric Utility Supply Companies (Vereinigung Deutscher Elektrizitätswerke).
- „Technical regulations for photovoltaic plants in parallel operation with the low voltage mains network of the electric utility companies“, issued by the Association of Electric Utility Companies of Austria (Verband der E-Werke Österreichs)
- Safety requirements for photovoltaic energy generation plants (Austrian standard ÖNORM/ÖVE E2750), as far as these regulations are applicable for the inverter.

This is the guarantee for an unproblematic and unbureaucratic authorization of operation by the distribution network operator and the electric utility supply company (for confirmity declaration documents see annex)

Warranty and Liability

Fronius manufacturer's warranty

Detailed, country-specific warranty terms are available on the internet: www.fronius.com/solar/warranty
To obtain the full warranty period for your newly installed Fronius inverter or storage system, please register at: www.solarweb.com.

Maintenance and disposal of obsolete equipment

Maintenance

The filter should be checked regularly to maintain its high quality and to ensure that it is functioning correctly.

Recycling

Should your inverter be replaced at some future date, Fronius will accept the obsolete equipment back and provide for its proper recycling.



**EG-KONFORMITÄTSERKLÄRUNG 2010
EC-DECLARATION OF CONFORMITY 2010
DECLARATION DE CONFORMITE DE LA CE, 2010**

Wels-Thalheim, 2010-07-27

EN

Die Firma

Manufacturer

La compagnie

FRONIUS INTERNATIONAL GMBH
Froniusstraße 1, A-4643 Pettenbach

erklärt in alleiniger Verantwortung,
dass folgendes Produkt:

Hereby certifies on its sole
responsibility that the following
product:

se déclare seule responsable du fait
que le produit suivant:

Fronius IG 15 / IG 20 / IG 30 /
IG 40 / IG 50 / IG 60 HV
Solar-Wechselrichter

Fronius IG 15 / IG 20 / IG 30 /
IG 40 / IG 50 / IG 60 HV
Photovoltaic inverter

Fronius IG 15 / IG 20 / IG 30 /
IG 40 / IG 50 / IG 60 HV
Onduleur solaire

auf das sich diese Erklärung
bezieht, mit folgenden Richtlinien
bzw. Normen übereinstimmt:

which is explicitly referred to by this
Declaration meet the following
directives and standard(s):

qui est l'objet de la présente
déclaration correspondent aux
suivantes directives et normes:

Richtlinie 2006/95/EG
Elektrische Betriebsmittel
Niederspannungsrichtlinie

Directive 2006/95/EC
Electrical Apparatus
Low Voltage Directive

Directive 2006/95/CE
Outillages électriques
Directive de basse tension

Richtlinie 2004/108/EG
Elektromag. Verträglichkeit

Directive 2004/108/EC
Electromag. compatibility

Directive 2004/108/CE
Électromag. Compatibilité

Europäische Normen inklusive
zutreffende Änderungen
EN 50178:1997
EN 61000-6-2:2005
EN 61000-6-3:2007
EN 61000-3-2:2006
EN 61000-3-12:2005
EN 61000-3-3:2008
EN 61000-3-11:2000
EN 62233:2008

European Standards including
relevant amendments
EN 50178:1997
EN 61000-6-2:2005
EN 61000-6-3:2007
EN 61000-3-2:2006
EN 61000-3-12:2005
EN 61000-3-3:2008
EN 61000-3-11:2000
EN 62233:2008

Normes européennes avec
amendements correspondants
EN 50178:1997
EN 61000-6-2:2005
EN 61000-6-3:2007
EN 61000-3-2:2006
EN 61000-3-12:2005
EN 61000-3-3:2008
EN 61000-3-11:2000
EN 62233:2008

Die oben genannte Firma hält
Dokumentationen als Nachweis der
Erfüllung der Sicherheitsziele und
die wesentlichen Schutzanforder-
ungen zur Einsicht bereit.

Documentation evidencing
conformity with the requirements of
the Directives is kept available for
inspection at the above
Manufacturer.

En tant que preuve de la satisfaction
des demandes de sécurité la
documentation peut être consultée
chez la compagnie susmentionnée.



ppa Hackl
ppa. Mag. Ing. H. Hackl



Fachausschuss Elektrotechnik
Prüf- und Zertifizierungsstelle
im BG-PRÜFZERT

Hauptverband der
gewerblichen
Berufsgenossenschaften

Europäisch notifizierte Stelle
Kenn-Nummer 0340

Prüf- und Zertifizierungsstelle beim Fachausschuss Elektrotechnik,
Postfach 51 05 80, 50941 Köln

Ihre Zeichen/Ihre Nachricht vom	Unser Zeichen (bitte stets angeben)	Bearbeiter	☎ (02 21) 37 78-	Datum
	UB.010.17	PI/Ow	6312	13.09.2006

Unbedenklichkeitsbescheinigung

Erzeugnis: Selbsttätig wirkende Schaltstelle (ENS)

Typ: ENS 25

**Bestimmungsgemäße
Verwendung:**

Selbsttätig wirkende, dem VNB unzugängliche Schaltstelle als Sicherheitsschnittstelle zwischen einer Eigenerzeugungsanlage und dem Niederspannungsnetz. Gleichwertiger Ersatz für eine jederzeit dem VNB zugängliche Schaltstelle mit Trennfunktion.
Die Schaltstelle ist integraler Bestandteil der netzgetrennten Photovoltaik-Wechselrichter:

FRONIUS IG 15; FRONIUS IG 20; FRONIUS IG 30
FRONIUS IG 40; FRONIUS IG 60; FRONIUS IG 60HV

Prüfgrundlage:

DIN V VDE V 0126-1-1(2006-02) "Selbsttätige Schaltstelle zwischen einer netzparallelen Erzeugungsanlage und dem öffentlichen Niederspannungsnetz"

Das am 13.07.2006 (arsenal research, Az.: 2.04.00391.1.0) nachgeprüfte Sicherheitskonzept des o.g. Erzeugnisses, entspricht den zum Zeitpunkt der Ausstellung dieser Bescheinigung geltenden sicherheitstechnischen Anforderungen für die aufgeführte bestimmungsgemäße Verwendung.

Die Unbedenklichkeitsbescheinigung wird spätestens

31.12.2011

ungültig.


- Mehlem -
Leiter der Prüf- und
Zertifizierungsstelle



Hausadresse:
Berufsgenossenschaft der Feinmechanik und Elektrotechnik

Gustav-Heinemann-Ufer 130
50968 Köln

Tel. (02 21) 37 78-63 01
Fax (02 21) 37 78-63 22

Fachausschuss Elektrotechnik

der Berufsgenossenschaftlichen Zentrale
für Sicherheit und Gesundheit – BGZ
des Hauptverbandes der gewerblichen Berufsgenossenschaften



BG

Federführung:
Berufsgenossenschaft
der Feinmechanik
und Elektrotechnik

EN

Fachausschuss Elektrotechnik, Postfach 51 05 80, 50941 Köln

FRONIUS International & Co. KG
Günter Fronius Straße 1

4600 Wels-Thalheim
Austria

Ihre Zeichen/Nachricht vom

Unser Zeichen (Bitte stets angeben)
UB.010.17 (FA)

Bearbeiter

Meh/Ow

(02 21) 37 78-540

Datum 14.03.2003

Erläuterungen zur befristeten Unbedenklichkeitsbescheinigung

Erzeugnis: Solar-Wechselrichter

Prüfung: Selbsttätig wirkende Freischaltstelle (ENS) nach E DIN VDE 0126

Bei der Prüfung bzw. Beurteilung von technischen Arbeitsmitteln werden von uns die jeweils aktuellen Arbeitsschutzvorschriften und -bestimmungen berücksichtigt.

Wir haben, ähnlich wie bei GS-Zertifikaten, auch bei Unbedenklichkeitsbescheinigungen eine Befristung ausgesprochen, damit der Hersteller oder Vertreiber des technischen Arbeitsmittels in einem überschaubaren Zeitraum überprüft, ob das Erzeugnis den eventuell geänderten Anforderungen noch genügt.

Der auf der Unbedenklichkeitsbescheinigung angegebene Datum bezieht sich auf das Produktionsdatum des technischen Arbeitsmittels, hier des Wechselrichters.

Für den Betreiber einer solchen geprüften Einrichtung gilt, daß zum Zeitpunkt der erstmaligen Verwendung einwandfreie technische Arbeitsmittel ohne zeitliche Begrenzung betrieben werden dürfen.

Von diesem Grundsatz wird nur abgewichen, wenn sich erhebliche technische Mängel herausstellen oder sich der Stand der Technik so verändert hat, daß beim Betrieb konkrete Gefahren auftreten können.

Die bloße Tatsache, daß ein Hersteller oder Vertreiber, z.B. aus wirtschaftlichen Gründen ein solches Zertifikat nicht verlängert, führt **nicht** dazu, daß der Betreiber den Betrieb einstellen müßte.

Mit freundlichen Grüßen

- Martin Mehlem -
Leiter der Prüf- und
Zertifizierungsstelle



Division Solarelektronik
Günter Fronius Straße 1
A-4600 Wels-Thalheim
Tel: +43/(0)7242/241-243
Fax: +43/(0)7242/241-224
E-Mail: hofmair.ulrike@fronius.com

1/1

Die Firma

FRONIUS INTERNATIONAL GMBH
Günter Fronius Straße 1, A-4600 Wels-Thalheim

erklärt hiermit, dass die

Photovoltaik-Wechselrichter FRONIUS IG 15 / IG 20 / IG 30 / IG 40 / IG 60 / IG 60 HV

folgenden für den Netzparallelbetrieb geltenden Vorschriften entsprechen:

"Richtlinie für den Parallelbetrieb von Photovoltaik-Eigenerzeugungsanlagen mit dem Niederspannungsnetz" der VDEW (Ausgabe 2001)

"Technische Richtlinien für den Parallelbetrieb von Photovoltaik-Eigenerzeugungsanlagen mit dem Niederspannungsnetz des Elektrizitätsversorgungsunternehmens" des Verbandes der E-Werke Österreichs

die Wechselrichter IG 15 / IG 20 / IG 30 / IG 40 / IG 60 / IG 60 HV erfüllen weiters die Bedingungen einer selbständig wirkenden Freischaltstelle, bestehend aus zwei voneinander unabhängigen, diversitären, parallelen Einrichtung zur Netzüberwachung mit jeweils zugeordnetem Schaltorgan in Reihe (ENS), wie sie vom Hauptverband der gewerblichen Berufsgenossenschaft festgelegt und in beiliegender Bestätigung für die Wechselrichter geprüft wurden.

Fronius International GmbH

Dipl.-Ing. Christoph Panhuber
Leitung Division Solarelektronik

Fronius Worldwide - www.fronius.com/addresses

A **Fronius International GmbH**
4600 Wels, Froniusplatz 1, Austria
E-Mail: pv-sales@fronius.com
<http://www.fronius.com>

USA **Fronius USA LLC** Solar Electronics Division
6797 Fronius Drive, Portage, IN 46368
E-Mail: pv-us@fronius.com
<http://www.fronius-usa.com>

Under <http://www.fronius.com/addresses> you will find all addresses of our sales branches and partner firms!