

PV Grid Tie Inverter

# Solis Single Phase Inverter

Installation and Operation Manual



**Ningbo Ginlong Technologies Co., Ltd.**

No. 57 Jintong Road, Binhai Industrial Park,  
Xiangshan, Ningbo, Zhejiang, 315712, P.R.China

Tel: +86 (0)574 6578 1806

Fax: +86 (0)574 6578 1606

Email: [info@ginlong.com](mailto:info@ginlong.com)

Web: [www.ginlong.com](http://www.ginlong.com)

Please record the serial number of your inverter and quote this when you contact us.

© 2014, Ningbo Ginlong Technologies Co., Ltd.



# Contents

1. Introduction .....	3
1.1 Product Descriptions .....	3
1.2 Packaging .....	4
2. Safety Instructions .....	5
2.1 Safety Symbols .....	5
2.2 General Safety Instructions .....	5
2.3 Notice For Use .....	6
3. Overview .....	7
3.1 Front Panel Display .....	7
3.2 LED Status Indicator Lights .....	7
3.3 Keypad .....	8
3.4 LCD .....	8
4. Installation .....	9
4.1 Select Location for the Inverter .....	9
4.2 Mounting the Inverter .....	10
4.3 Electrical Connections .....	11
5. Start & Stop .....	18
5.1 Start the Inverter .....	18
5.2 Stop the Inverter .....	18

# Contents

6. Operation	19
6.1 Main Menu	19
6.2 Information	19
6.2.1 Wi-Fi connection status	20
6.2.2 Lock screen	21
6.3 Settings	21
6.3.1 Set Time	21
6.3.2 Set Address	21
6.4 Advanced Info.	22
6.4.1 Alarm Message	22
6.4.2 Temperature	23
6.4.3 Standard No.	23
6.4.4 Version	23
6.4.5 Communication Data	23
6.5 Advanced Settings	24
6.5.1 Select Standard	24
6.5.2 Grid ON/OFF	25
7. Maintenance	26
8. Trouble Shooting	26
9. Specifications	28

# 1. Introduction

## 1.1 Product Descriptions

Solis single phase series inverters can transfer DC power from PV panels into AC power and feed into grid.

Solis single phase series inverters contain 12 models which are listed below:

**Dual MPPT models: Solis-2.5K-2G Solis-3K-2G Solis-3.6K-2G Solis-4K-2G Solis-4.6K-2G Solis-5K-2G**

**Single MPPT models: Solis-1K-2G Solis-1.5K-2G Solis-2K-2G Solis-2.5K-2G-ST Solis-3K-2G-ST Solis-3.6K-2G-ST**



▲ Figure 1.1 Front side view



For 1-2kW models

For 2.5-3.6kW models

For 4-5kW models

▲ Figure 1.2 Bottom side view

# 1. Introduction

## 1.2 Packaging

When you receive the inverter, please check if all the parts listed below are included:



Part NO.	Description	Number
1	PV grid tie inverter	1
2	Wall mounting bracket	1
3	Locking screws	2
4	AC connector	1
5	DC connectors	1 pair for Single MPPT Models 2 pairs for Dual MPPT Models
6	Manual	1

▲ Table 1.1 Material list

# 2. Safety Instructions

Improper use may result in potential electric shock hazards or burns. This manual contains important instructions that should be followed during installation and maintenance. Please read these instructions carefully before use and keep them for future reference.

## 2.1 Safety Symbols

Safety symbols used in this manual, which highlight potential safety risks and important safety information, are listed as follows:



**WARNING:**  
WARNING symbol indicates important safety instructions, which if not correctly followed, could result in serious injury or death.



**NOTE:**  
NOTE symbol indicates important safety instructions, which if not correctly followed, could result in some damage or the destruction of the inverter.



**CAUTION:**  
CAUTION, RISK OF ELECTRIC SHOCK symbol indicates important safety instructions, which if not correctly followed, could result in electric shock.



**CAUTION:**  
CAUTION, HOT SURFACE symbol indicates safety instructions, which if not correctly followed, could result in burns.

## 2.2 General Safety Instructions



**WARNING:**  
Please don't connect PV array positive(+) or negative(-) to the ground, it could cause serious damage to the inverter.



**WARNING:**  
Electrical installations must be done in accordance with the local and national electrical safety standards

## 2. Safety Instructions



### WARNING:

To reduce the risk of fire, branch-circuit over-current protective devices (OCPD) are required for circuits connected to the Inverter. The recommended trip current for OCPD is 16A for 1-2kW models, 25A for 2.5-3.6kW models, 32A for 4-5kW models.



### CAUTION:

Risk of electric shock. Do not remove cover. There is no user serviceable parts inside. Refer servicing to qualified and accredited service technician.



### CAUTION:

The PV array (Solar panels) supplies a DC voltage when it is exposed to light.



### CAUTION:

Risk of electric shock from energy stored in capacitors of the Inverter. Do not remove cover until 5 minutes after disconnecting all sources of supply. Service technician only. Warranty may be voided if any unauthorized removal of cover.



### CAUTION:

The surface temperature of the inverter can reach up to 75°C (167 F). To avoid risk of burns, do not touch the surface when inverter is operating. Inverter must be installed out the reach of children.

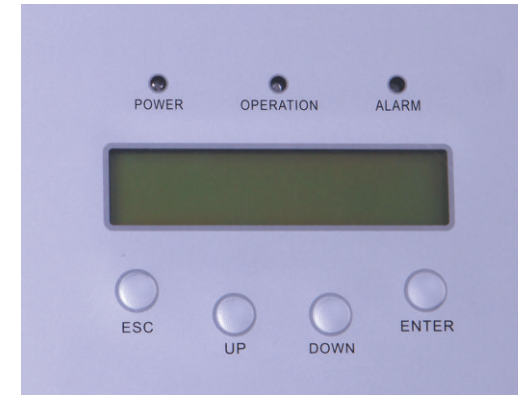
## 2.3 Notice For Use

The inverter has been constructed according to the applicable safety and technical guidelines. Use the inverter in installations that meet the following specification ONLY:

1. Permanent installation is required.
2. The electrical installation must meet all the applicable regulations and standards.
3. The inverter must be installed according to the instructions stated in this manual.
4. The inverter must be installed according to the correct technical specifications.
5. To startup the inverter, the Grid Supply Main Switch (AC) must be switched on, before the solar panel's DC isolator shall be switched on. To stop the inverter, the Grid Supply Main Switch (AC) must be switched off before the solar panel's DC isolator shall be switched off.

## 3. Overview

### 3.1 Front Panel Display



▲ Figure 3.1 Front Panel Display

### 3.2 LED Status Indicator Lights

There are three LED status indicator lights in the front panel of the inverter. Left LED: POWER LED (red) indicates the power status of the inverter. Middle LED: OPERATION LED (green) indicates the operation status. Right LED: ALARM LED (yellow) indicates the alarm status. Please see Table 3.1 for details

Light	Status	Description
● POWER	ON	The inverter can detect DC power
	OFF	No DC power or low DC power
● OPERATION	ON	The inverter is operating properly.
	OFF	The inverter has stopped to supply power.
	FLASHING	The inverter is initializing.
● ALARM	ON	Alarm or fault condition is detected.
	OFF	The inverter is operating properly.

▲ Table 3.1 Status Indicator Lights

## 3. Overview

### 3.3 Keypad

There are four keys in the front panel of the Inverter(from left to right): ESC, UP, DOWN and ENTER keys. The keypad is used for:

- Scrolling through the displayed options (the UP and DOWN keys);
- Access to modify the adjustable settings (the ESC and ENTER keys).

### 3.4 LCD

The two-line Liquid Crystal Display (LCD) is located at the front panel of the Inverter, which shows the following information:

- Inverter operation status and data;
- Service messages for operator;
- Alarm messages and fault indications.

## 4. Installation

### 4.1 Select a Location for the Inverter

To select a location for the inverter, the following criteria should be considered:

- The temperature of the inverter heat-sink could up to 75°C.
- The inverter is designed to work in extreme temperatures. The ambient operating temperature range is from -25°C to 60°C.
- If there is more than 1 inverter installed together, A minimum 300mm clearance should be kept between each inverter. The bottom of the inverter should be 500mm clearance to the ground.



▲ Figure 4.1 Inverter Mounting clearance

- Visibility of the LED status indicator lights and the LCD located at the front panel of the inverter should be considered.
- Adequate ventilation must be provided if the inverter is to be installed in a confined space.



**NOTE:**

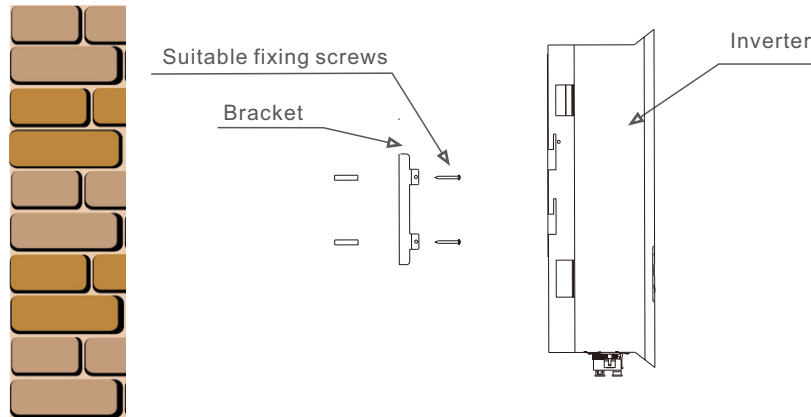
Nothing should be stored on or placed against the inverter.

# 4. Installation

# 4. Installation

## 4.2 Mounting the Inverter

Please use suitable fixings for wall type (e.g. use dynabolts for brick, masonry, etc).



▲ Figure 4.2 Inverter Mounting

Inverter should be mounted in a vertical position as shown in Figure 4.2. The steps to mount the inverter on the wall are given as follows:

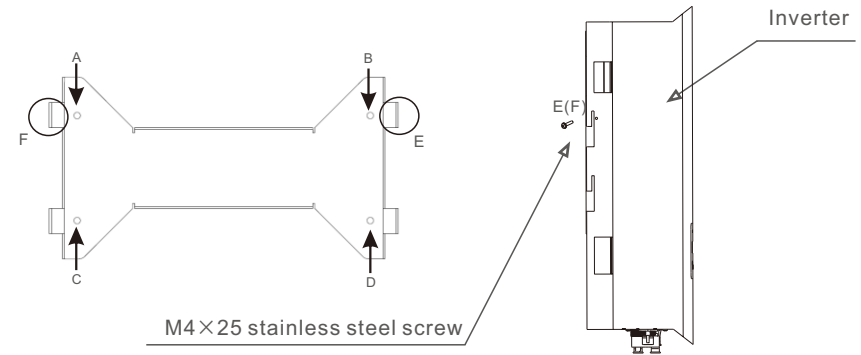
1. Locate the wall studs in the desired location and align the wall mount bracket over the studs. Mark the mounting holes. For masonry walls, the mounting holes should be for a suitable dynabolt type mounting system.
2. MAKE SURE BRACKET IS horizontal. Ensure that the A, B, C, and D mounting holes (in Figure 4.3) are aligned with the wall's most secure points (e.g. wall studs in case of clad building materials).



**WARNING:**

Bracket must be mounted vertically on a vertical wall surface.

3. Carefully hang the inverter on the upper part of the wall mount bracket by fitting the hooks into the slot of the bracket. Use M4×25 stainless steel screws at holes E and F (in Figure 4.2) to secure the mounting hooks to the rear of the inverter.



▲ Figure 4.3 Wall Mount Bracket

## 4.3 Electrical Connections

The Inverter is designed for electrical connection without removing the cover. The meaning of the symbols located at the bottom of the inverter are listed in Table 4.1. All electrical installations must be in accordance with all local and national electrical codes .

+	Positive DC input terminal
-	Negative DC input terminal
DC 1	Positive or negative DC 1 input terminal
DC 2	Positive or negative DC 2 input terminal (for Dual MPPT models)
DC SWITCH	Switch of DC input terminals(optional)
COM	Communication connection terminal
GRID	Grid wires connection terminal

▲ Table 4.1 Terminals

# 4. Installation

The electrical connection of the inverter must follow the steps listed below:

1. Switch the Grid Supply Main Switch (AC) OFF.
2. Switch the DC Isolator OFF.
3. Assemble PV input connector to the Inverter.



Before connecting inverter, please make sure the PV array open circuit voltage is within the limit of the inverter

**Maximum 500Voc for**

Solis-1K-2G Solis-1.5K-2G Solis-2K-2G

**Maximum 600Voc for**

Solis-2.5K-2G Solis-3K-2G Solis-3.6K-2G

Solis-4K-2G Solis-4.6K-2G Solis-5K-2G

Solis-2.5K-2G-ST Solis-3K-2G-ST Solis-3.6K-2G-ST



Please don't connect PV array positive or negative pole to the ground, it could cause serious damages to the inverter



Before connection, please make sure the polarity of the output voltage of PV array matches the "DC+" and "DC-" symbols.



▲ Figure 4.4 DC+ Connector



▲ Figure 4.5 DC- Connector



Please use approved DC cable for PV system.

# 4. Installation

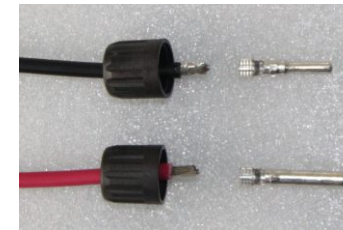
The steps to assemble the DC connectors are listed as follows:

- i) Strip off the DC wire for about 7mm, Disassemble the connector cap nut (see Figure 4.6).



▲ Figure 4.6 Disassemble the Connector Cap nut

- ii) Insert the wire into the connector cap nut and contact pin as shown in Figure 4.7.



▲ Figure 4.7 Insert the Wire into the Connector Cap nut and contact pin

- iii) Crimp the contact pin to the wire using a proper wire crimper as shown in Figure 4.8

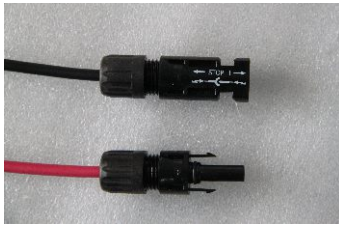


▲ Figure 4.8 Crimp the contact pin to the wire

- iv) Insert the contact pin to the top part of the connector and screw up the cap nut to the top part of the connector (as shown in Figure 4.8).



## 4. Installation



▲ Figure 4.9 Connector with Cap nut Screwed on

v) Then connect the DC connectors to the inverter. Small click will confirm connection (as shown in Figure 4.10).



▲ Figure 4.10 Connect the DC Connectors to the Inverter

### 4. Assemble the grid connector of the Inverter.

For all AC connections, 2.5- 4mm<sup>2</sup> 105 °C cable is required to be used. Please make sure the resistance of cable is lower than 1.5 ohm. If the wire is longer than 20m, it's recommended to use 4mm<sup>2</sup> cable.



#### WARNING:

There are “L” “N” “⊥” symbols marked inside the connector ( see Figure 4.11), the Line wire of grid must be connected to “L” terminal; the Neutral wire of grid must be connected to “N” terminal; the Earth of grid must be connected to “⊥” (see Figure 4.11).

## 4. Installation



▲ Figure 4.11 AC Grid Terminal Connector Inside

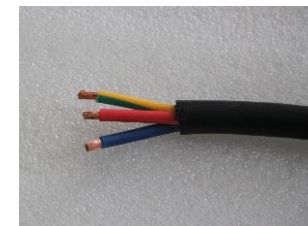
Each Solis Single Phase Inverter is supplied with an AC grid terminal connector, which is shown in Figure 4.12.



▲ Figure 4.12 AC Grid Terminal Connector

The steps to assemble the AC grid terminal connectors are listed as follows:

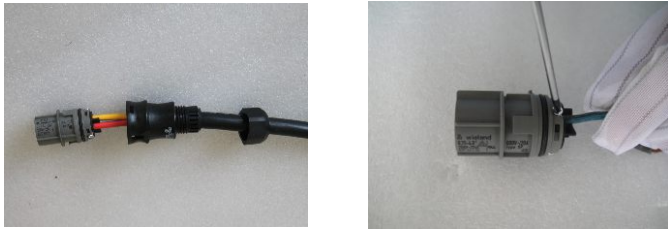
a) Disassemble the AC connector. Strip the AC wires about 6mm,



▲ Figure 4.13 Stripped AC Wires

# 4. Installation

b) Fix the green and yellow wire to the ground terminal. Fix the red(or brown) wire to L (line) terminal. Fix the blue wire to N(Neutral). Tight the screws on the connector (as shown in Figure 4.14). Please try to pull out the wire to make sure the it's well connected.



▲ Figure 4.14 Connect Wires to the Terminal

c) Tighten up the cap on the terminal (as shown in Figure 4.15).



▲ Figure 4.15 Tighten up the Cap on the Terminal

d) Connect the AC grid terminal connector to the inverter. Small click will confirm connection (as shown in Figure 4.16).



▲ Figure 4.16 Connect the AC Connector to the Inverter

# 4. Installation

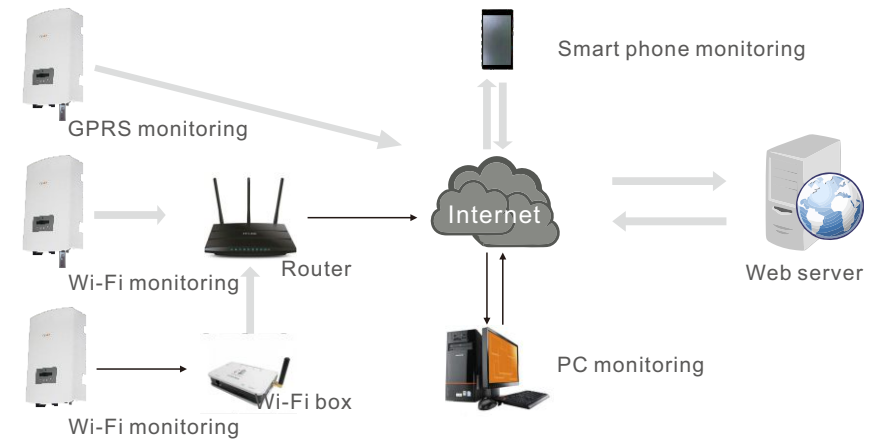


Note: Connection for Split phase grid.

Solis series single phase inverter also suitable for 208-240V split phase connection. When connect to split phase, please connect L1 to "L" terminal, L2 to "N" terminal. Also connect earth to ground terminal.

## 5. Inverter monitoring Connection.

The inverter can be monitored by Wi-Fi or GPRS functions. All the communication functions are optional (Figure 4.18), please refer to communication connection instructions.



▲ Figure4.18 Wi-Fi communication function

# 5. Start & Stop

# 6. Operation

## 5.1 Start the Inverter

To start up the Inverter, it is important that the following steps are strictly followed:

1. Switch the Solar Supply Main Switch (AC) ON first.
2. Switch the DC Isolator ON. If the voltage of PV arrays are higher than start up voltage, the inverter will turn on. The red LED power will light, and the LCD shows the company's name and the inverter model.



▲ Figure 5.1 Company Name and Inverter Model on LCD

3. When both the DC and the AC grid sides supply to the inverter, it will be ready to generate power. Initially, the inverter will check both its internal parameters and the parameters of the AC grid, to ensure that they are within the acceptable limits. At the same time, the green LED will flash and the LCD displays the information of INITIALIZING.

4. After 30-180 seconds (depending on local requirement), the inverter will start to generate power. The green LED will be on continually and the LCD displays GENERATING.



### WARNING:

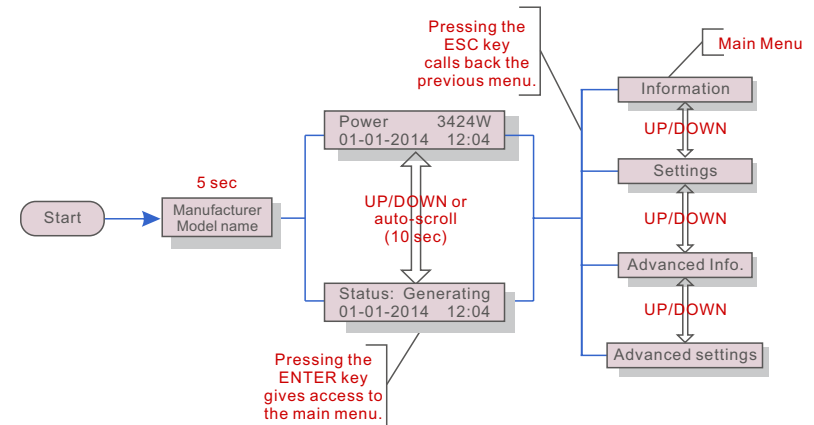
Do not touch the surface when the inverter is operating. It may be hot and cause burns.

## 5.2 Stop the Inverter

To stop the Inverter, the following steps must be strictly followed:

1. Switch the Grid Supply Main Switch (AC) OFF.
2. Wait 30 seconds. Switch the DC Isolator OFF. All the LEDs of the inverter will be off in a minute.

During normal operation, the display alternately shows the power and the operation status with each screen lasting for 10 seconds (see Figure 6.1). Screens can also be scrolled manually by pressing the UP and DOWN keys. Press the ENTER key to access to the Main Menu.



▲ Figure 6.1 Operation Overview

## 6.1 Main Menu

There are four submenus in the Main Menu (see Figure 6.1):

1. Information
2. Settings
3. Advanced Info.
4. Advanced Settings

## 6.2 Information

The Solis Single Phase Inverter main menu provides access to operational data and information. The information is displayed by selecting "Information" from the menu and then by scrolling up or down.

Display	Duration	Description
V_DC1 350.8V I_DC1 5.1A	10 sec	V_DC1: Shows input 01 voltage value. I_DC1: Shows input 01 current value.
V_DC2 350.8V I_DC2 5.1A	10 sec	V_DC2: Shows input 02 voltage value. I_DC2: Shows input 02 current value.
V_Grid 230.4V I_Grid 8.1A	10 sec	V_Grid: Shows the grid's voltage value I_Grid: Shows the grid's current value.
Status: Generating Power: 1488W	10 sec	Status: Shows instant status of the Inverter. Power: Shows instant output power value.
Grid Frequency F_Grid 50.06Hz	10 sec	F_Grid: Shows the grid's frequency value.
Total Energy 0258458 kwh	10 sec	Total generated energy value
This Month: 0123kwh Last Month: 0123kwh	10 sec	This Month: Total energy generated this month. Last Month: Total energy generated last month.
Today: 15.1kwh Yesterday: 13.5kwh	10 sec	Today: Total energy generated today. Yesterday: Total energy generated yesterday.
Inverter SN 00000000000000	10 sec	Display series number of the inverter
Connection status Searching.....	10 sec	Information about Wi-Fi connection status Please see 6.2.1 for details.

▲ Table 6.1 Information list

## 6.2.1 Wi-Fi connection status

There are three Wi-Fi connection status:

“**Searching.....**” means inverter is searching Wi-Fi device. If no Wi-Fi device is connected or Wi-Fi device is abnormal, Wi-Fi status is searching.

“**Connected**” means inverter already connected Wi-Fi signal and could upload information to internet.

“**Ping Failed**” means inverter connected with Wi-Fi device but Wi-Fi device can not connect to internet. In “Information” menu, inverter will show “Ping Failed”, before configure Wi-Fi device or no Wi-Fi signal is around inverter.

## 6.2.2 Lock screen

Pressing the ESC key returns to the Main Menu. Pressing the ENTER key locks (Figure 6.2(a)) or unlocks (Figure 6.2 (b)) the screen.



▲ Figure 6.2 Locks and Unlocks the Screen of LCD

## 6.3 Settings

The following submenus are displayed when the Settings menu is selected:

- 1.Set Time
- 2.Set Address

### 6.3.1 Set Time

This function allows time and date setting. When this function is selected, the LCD will display a screen as shown in Figure 6.3.

NEXT=<ENT> OK=<ESC>  
01-01-2010 16:37

▲ Figure 6.3 Set Time

Press the UP/DOWN keys to set time and data. Press the ENTER key to move from one digit to the next (from left to right). Press the ESC key to save the settings and return to the previous menu.

### 6.3.2 Set Address

This function is used to set the address when the inverter is connected to the PC. The address number can be assigned from “01” to “99”(see Figure 6.4). The default address number of Solis Single Phase Inverter is “01”.



YES=<ENT> NO=<ESC>  
Set Address: 02

▲ Figure 6.4 Set Address

Press the UP/DOWN keys to set the address. Press the ENTER key to save the settings. Press the ESC key to cancel the change and return to the previous menu.

## 6.4 Advanced Info - Technicians Only



### NOTE:

To access to this area is for fully qualified and accredited technicians only. Please enter the password to “Advanced Info.” and “Advanced setting”

Select “Advanced Info.” from the Main Menu. The screen will require the password as below



YES=<ENT> NO=<ESC>  
Password:0000

▲ Figure 6.5

The default password is “0010”. Please press “down” to move the cursor, press “up” to select the number.

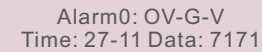
After enter the correct password the Main Menu will display a screen and be able to access to the following information.

- 1.Alarm Message
- 2.Temperature
- 3.Standard No.
- 4.Version
- 5.Communication Data

The screen can be scrolled manually by pressing the UP/DOWN keys. Pressing the ENTER key gives access to a submenu. Press the ESC key to return to the Main Menu.

### 6.4.1 Alarm Message

The display shows the 10 latest alarm messages (see Figure 6.6). Screens can be scrolled manually by pressing the UP/ DOWN keys. Press the ESC key to return to the previous menu.



Alarm0: OV-G-V  
Time: 27-11 Data: 7171

▲ Figure 6.6 Alarm Message

### 6.4.2 Temperature

The screen shows the temperature inside the inverter (see Figure 6.7).




Temperature  
046.6°C

▲ Figure 6.7 Temperature inside the Inverter

### 6.4.3 Standard No.

The screen shows the reference standard of the Inverter (see Figure 6.8).



Standard: VDE0126

▲ Figure 6.8 Example of Standard of the Inverter

### 6.4.4 Version

The screen shows the model version and the software version of the Inverter (see Figure 6.9).

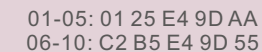


Model: 08  
Software Version: D20001

▲ Figure 6.9 Model Version and Software Version

### 6.4.5 Communication Data

The screen shows the internal data of the Inverter (see Figure 6.10), which is for service technicians only.



01-05: 01 25 E4 9D AA  
06-10: C2 B5 E4 9D 55

▲ Figure 6.10 Communication Data

## 6.5 Advanced Settings - Technicians Only



**NOTE:**

To access to this area is for fully qualified and accredited technicians only. Please follow 6.4 to enter password to access this menu.

Select Advanced Settings from the Main Menu to access the following options:

1. Select Standard
2. Grid ON/OFF

### 6.5.1 Selecting Standard



**NOTE:**

The inverter is customized according to the local standard before shipping to the customer. The "User-Def" function can be only used by the service engineer and must to be allowed by the local energy supplier.



**NOTE:**

Before to using this function, please set "GRID OFF" to stop inverter (refer to Section 6.5.2).



**NOTE:**

This function is for technicians use only.

This function is used to select the grid's reference standard (see Figure 6.11).

YES=<ENT> NO=<ESC>  
Standard: VDE0126

▲ Figure 6.11

Press the UP/DOWN keys to select the standard (AS4777, AS4777\_NQ, AUS-Q-0.9, AUS-Q-0.8, VDE4105, VDE0126, UL-240V, UL-208V, MEX-CFE, G83/2, G59/3, EN50438 DK, EN50438 IE, EN50438 NL, EN50438L, EN50438T and "User-Def" function).

Press the ENTER key to confirm the setting. Press the ESC key to cancel changes and returns to previous menu.



**IMPORTANT NOTE for installation in Australia:**

The standard AUS-Q-0.9 and AUS-Q-0.8 mean fixed the inverter output power factor to 0.9 and 0.8. They are for Australia local standard, please make sure the setting is suitable for local requirement. Otherwise it could reduce the power generated.

**The default setting for Australia is standard AS4777.**

Selecting the "User-Def" menu will access to the following submenu (see Figure 6.12),

→ OV-V: 262V  
UN-V: 210V

▲ Figure 6.12

Below is the setting range for "User-Def". Using this function, the limits can be changed manually.

OV-V: 240---270V

UN-V: 180---210V

OV-G-F: 50.3---52.0Hz(60.3—62.0Hz)

UN-G-F: 47.0---49.5Hz(57.0—59.5Hz)

Press the UP/DOWN keys to scroll through items. Press the ENTER key to edit the highlighted item. Press the UP/DOWN keys again to change the setting. Press the ENTER key to save the setting. Press the ESC key to cancel changes and returns to the previous menu.



**NOTE:**

Please, set "Grid ON" to start up the inverter after the settings (refer to Section 6.5.2). Otherwise the inverter won't start up.

### 6.5.2 Grid ON/OFF

This function is used to start up or stop the power generation of Solis Single Phase Inverter (see Figure 6.13).

→ Grid ON  
Grid OFF

▲ Figure 6.13 Set Grid ON/OFF

Screens can be scrolled manually by pressing the UP/DOWN keys. Press the ENTER key to save the setting. Press the ESC key to return to the previous menu.

## 7. Maintenance

Solis Single Phase Inverter does not require any regular maintenance. However, cleaning the dust on heat-sink will help the inverter to dissipate the heat and increase its life time. The dust can be removed with a soft brush.



**CAUTION:**

Do not touch the inverter's surface when it is operating. Some parts of the inverter may be hot and cause burns. Turn off the inverter (refer to Section 5.2) and wait for a cool-down period before any maintenance or cleaning operation.

The LCD and the LED status indicator lights can be cleaned with a damp cloth if they are too dirty to be read.



**NOTE:**

Never use any solvents, abrasives or corrosive materials to clean the inverter.

## 8. Trouble Shooting

The inverter is designed in accordance with the most important international grid-tied standards and safety and electromagnetic compatibility requirements. Before delivering to the customer, the inverter has been subjected to several tests to ensure its optimal operation and reliability.

In case of failure, the LCD screen will display an alarm message. In this case, the inverter may stop feeding into the grid. The failure descriptions and their corresponding alarm messages are listed in Table 8.1:

## 8. Trouble Shooting

Alarm Message	Failure description
OV-G-V	Over grid voltage
UN-G-V	Under grid voltage
OV-G-F	Over grid frequency
UN-G-F	Under grid frequency
G-IMP	High grid impedance
NO-GRID	No grid voltage
OV-DC	Over DC voltage
OV-BUS	Over DC bus voltage
UN-BUS	Under DC bus voltage
GRID-INTF.	Grid interference
INI-FAULT	Initialization system fault
OV-TEM	Over Temperature
GROUND-FAULT	Ground fault
ILeak-FAULT	High Grid leakage current
Relay-FAULT	Relay check fault
DCinj-FAULT	High DC injection current

▲ Table 8.1 Fault message and description



**NOTE:**

If the inverter displays any alarm message as listed in Table 8.1; please turn off the inverter (refer to Section 5.2 to stop your inverter) and wait for 5 minutes before restarting it (refer to Section 5.1 to start your inverter). If the failure persists, please contact your local distributor or the service center. Please keep ready with you the following information before contacting us.

1. Serial number of the Inverter;
2. The distributor/dealer of the Inverter (if available);
3. Installation date.
4. The description of problem (i.e. the alarm message displayed on the LCD and the status of the LED status indicator lights. Other readings obtained from the Information submenu (refer to Section 6.2) will also be helpful.);
5. System design for the PV array configuration (e.g. number of panels, capacity of panels, number of strings, etc.);
6. Your contact details.

# 9. Specifications

Model	Solis-1K-2G
The max DC input voltage	500Vdc
MPPT operation range	70~400Vdc
The max DC input current	10Adc
Number of MPPT /strings per MPPT	1/1
Rating output power	1kW
The transient max power	1.1kW
Rating grid voltage	230Vac
The grid voltage range	180~270Vac(adjustable)
Operation phase	Single phase
Rating grid output current	4.3A
Output power factor	>0.99
Grid current THD	<4%(Total THd)
The DC injection current	<20mA
Rating grid frequency	50/60Hz
Efficiency	>96%
Protection	DC reverse-polarity protection; AC short circuit protection; islanding protection; temperature protection. Etc.
Size(mm)	339W*565H*164D(mm)
Weight	11.0kg
Topology	Transformerless
DC Switch	Optional
Internal consumption	<1W(Night)
Running temperature	-25~60°C
Ingress protection	IP65
Interface	RS485 WIFI GPRS(Optional)
Design lifetime	>20years
Operating Range Utility Frequency	47-52 or 57-62Hz(adjustable)
Utility Monitoring	Islanding protection $V_{AC}$ , $F_{AC}$ in accordance with UL 1741, G83/2, AS4777, VDE 0126-1-1
Operation Surroundings Humidity	0~95%
Noise emission(typical)	<30 dBA
EMC	EN61000-6-1:2007 EN61000-6-3:2007

# 9. Specifications

Model	Solis-1.5K-2G
The max DC input voltage	500Vdc
MPPT operation range	100~400Vdc
The max DC input current	10Adc
Number of MPPT /strings per MPPT	1/1
Rating output power	1.5kW
The transient max power	1.7kW
Rating grid voltage	230Vac
The grid voltage range	180~270Vac(adjustable)
Operation phase	Single phase
Rating grid output current	6.5A
Output power factor	>0.99
Grid current THD	<4%(Total THd)
The DC injection current	<20mA
Rating grid frequency	50/60Hz
Efficiency	>96.5%
Protection	DC reverse-polarity protection; AC short circuit protection; islanding protection; temperature protection. Etc.
Size(mm)	339W*565H*164D(mm)
Weight	11.0kg
Topology	Transformerless
DC Switch	Optional
Internal consumption	<1W(Night)
Running temperature	-25~60°C
Ingress protection	IP65
Interface	RS485 WIFI GPRS(Optional)
Design lifetime	>20years
Operating Range Utility Frequency	47-52 or 57-62Hz(adjustable)
Utility Monitoring	Islanding protection $V_{AC}$ , $F_{AC}$ in accordance with UL 1741, G83/2, AS4777, VDE 0126-1-1
Operation Surroundings Humidity	0~95%
Noise emission(typical)	<30 dBA
EMC	EN61000-6-1:2007 EN61000-6-3:2007



# 9. Specifications

Model	Solis-2K-2G
The max DC input voltage	500Vdc
MPPT operation range	100~400Vdc
The max DC input current	10A <sub>dc</sub>
Number of MPPT /strings per MPPT	1/1
Rating output power	2kW
The transient max power	2.2kW
Rating grid voltage	230Vac
The grid voltage range	180~270Vac(adjustable)
Operation phase	Single phase
Rating grid output current	8.7A
Output power factor	>0.99
Grid current THD	<4%(Total THd)
The DC injection current	<20mA
Rating grid frequency	50/60Hz
Efficiency	>97%
Protection	DC reverse-polarity protection; AC short circuit protection; islanding protection; temperature protection. Etc.
Size(mm)	339W*565H*164D(mm)
Weight	11.0kg
Topology	Transformerless
DC Switch	Optional
Internal consumption	<1W(Night)
Running temperature	-25~60°C
Ingress protection	IP65
Interface	RS485 WIFI GPRS(Optional)
Design lifetime	>20years
Operating Range Utility Frequency	47-52 or 57-62Hz(adjustable)
Utility Monitoring	Islanding protection $V_{AC}$ , $F_{AC}$ in accordance with UL 1741, G83/2, AS4777, VDE 0126-1-1
Operation Surroundings Humidity	0~95%
Noise emission(typical)	<30 dBA
EMC	EN61000-6-1:2007 EN61000-6-3:2007

# 9. Specifications

Model	Solis-2.5K-2G	Solis-2.5K-2G-ST
The max DC input voltage	600Vdc	
MPPT operation range	100~500Vdc	
The max DC input current	10+10A <sub>dc</sub>	10A <sub>dc</sub>
Number of MPPT /strings per MPPT	2/1	1/1
Rating output power	2.5kW	
The transient max power	2.8kW	
Rating grid voltage	230Vac	
The grid voltage range	180~270Vac(adjustable)	
Operation phase	Single phase	
Rating grid output current	10.9A	
Output power factor	>0.99	
Grid current THD	<4%(Total THd)	
The DC injection current	<20mA	
Rating grid frequency	50/60Hz	
Efficiency	>97%	
Protection	DC reverse-polarity protection; AC short circuit protection; islanding protection; temperature protection. Etc.	
Size(mm)	339W*565H*172.5D(mm)	
Weight	14.5kg	13.5kg
Topology	Transformerless	
DC Switch	Optional	
Internal consumption	<1W(Night)	
Running temperature	-25~60°C	
Ingress protection	IP65	
Interface	RS485 WIFI GPRS(Optional)	
Design lifetime	>20years	
Operating Range Utility Frequency	47-52 or 57-62Hz(adjustable)	
Utility Monitoring	Islanding protection $V_{AC}$ , $F_{AC}$ in accordance with UL 1741, G83/2, AS4777, VDE 0126-1-1	
Operation Surroundings Humidity	0~95%	
Noise emission(typical)	<30 dBA	
EMC	EN61000-6-1:2007 EN61000-6-3:2007	

# 9. Specifications

Model	Solis-3K-2G	Solis-3K-2G-ST
The max DC input voltage	600Vdc	
MPPT operation range	100~500Vdc	
The max DC input current	10+10A <sub>dc</sub>	18A <sub>dc</sub>
Number of MPPT /strings per MPPT	2/1	1/2
Rating output power	3kW	
The transient max power	3.3kW	
Rating grid voltage	230Vac	
The grid voltage range	180~270Vac(adjustable)	
Operation phase	Single phase	
Rating grid output current	13.0A	
Output power factor	>0.99	
Grid current THD	<4%(Total THd)	
The DC injection current	<20mA	
Rating grid frequency	50/60Hz	
Efficiency	>97%	
Protection	DC reverse-polarity protection; AC short circuit protection; islanding protection; temperature protection. Etc.	
Size(mm)	339W*565H*172. 5D(mm)	
Weight	14.5kg	13.5kg
Topology	Transformerless	
DC Switch	Optional	
Internal consumption	<1W(Night)	
Running temperature	-25~60°C	
Ingress protection	IP65	
Interface	RS485 WIFI GPRS(Optional)	
Design lifetime	>20years	
Operating Range Utility Frequency	47-52 or 57-62Hz(adjustable)	
Utility Monitoring	Islanding protection $V_{ac}$ , $F_{ac}$ in accordance with UL 1741, G83/2, AS4777, VDE 0126-1-1	
Operation Surroundings Humidity	0~95%	
Noise emission(typical)	<30 dBA	
EMC	EN61000-6-1:2007 EN61000-6-3:2007	

# 9. Specifications

Model	Solis-3.6K-2G	Solis-3.6K-2G-ST
The max DC input voltage	600Vdc	
MPPT operation range	100~500Vdc	
The max DC input current	10+10A <sub>dc</sub>	18A <sub>dc</sub>
Number of MPPT /strings per MPPT	2/1	1/2
Rating output power	3.6kW	
The transient max power	4kW	
Rating grid voltage	230Vac	
The grid voltage range	180~270Vac(adjustable)	
Operation phase	Single phase	
Rating grid output current	15.7A	
Output power factor	>0.99	
Grid current THD	<4%(Total THd)	
The DC injection current	<20mA	
Rating grid frequency	50/60Hz	
Efficiency	>97%	
Protection	DC reverse-polarity protection; AC short circuit protection; islanding protection; temperature protection. Etc.	
Size(mm)	339W*565H*172. 5D(mm)	
Weight	14.5kg	13.5kg
Topology	Transformerless	
DC Switch	Optional	
Internal consumption	<1W(Night)	
Running temperature	-25~60°C	
Ingress protection	IP65	
Interface	RS485 WIFI GPRS(Optional)	
Design lifetime	>20years	
Operating Range Utility Frequency	47-52 or 57-62Hz(adjustable)	
Utility Monitoring	Islanding protection $V_{ac}$ , $F_{ac}$ in accordance with UL 1741, G83/2, AS4777, VDE 0126-1-1	
Operation Surroundings Humidity	0~95%	
Noise emission(typical)	<30 dBA	
EMC	EN61000-6-1:2007 EN61000-6-3:2007	

# 9. Specifications

Model	Solis-4K-2G
The max DC input voltage	600Vdc
MPPT operation range	100~500Vdc
The max DC input current	15+15Adc
Number of MPPT /strings per MPPT	2/1
Rating output power	4kW
The transient max power	4.4kW
Rating grid voltage	230Vac
The grid voltage range	180~270Vac(adjustable)
Operation phase	Single phase
Rating grid output current	17.4A
Output power factor	>0.99
Grid current THD	<4%(Total THd)
The DC injection current	<20mA
Rating grid frequency	50/60Hz
Efficiency	>97%
Protection	DC reverse-polarity protection; AC short circuit protection; islanding protection; temperature protection. Etc.
Size(mm)	339W*565H*172. 5D(mm)
Weight	15.5kg
Topology	Transformerless
DC Switch	Optional
Internal consumption	<1W(Night)
Running temperature	-25~60°C
Ingress protection	IP65
Interface	RS485 WIFI GPRS(Optional)
Design lifetime	>20years
Operating Range Utility Frequency	47-52 or 57-62Hz(adjustable)
Utility Monitoring	Islanding protection $V_{AC}$ , $F_{AC}$ in accordance with UL 1741, G59/3, AS4777, VDE 0126-1-1
Operation Surroundings Humidity	0~95%
Noise emission(typical)	<30 dBA
EMC	EN61000-6-1:2007 EN61000-6-3:2007

# 9. Specifications

Model	Solis-4.6K-2G
The max DC input voltage	600Vdc
MPPT operation range	100~500Vdc
The max DC input current	15+15Adc
Number of MPPT /strings per MPPT	2/1
Rating output power	4.6kW
The transient max power	5kW
Rating grid voltage	230Vac
The grid voltage range	180~270Vac(adjustable)
Operation phase	Single phase
Rating grid output current	20A
Output power factor	>0.99
Grid current THD	<4%(Total THd)
The DC injection current	<20mA
Rating grid frequency	50/60Hz
Efficiency	>97%
Protection	DC reverse-polarity protection; AC short circuit protection; islanding protection; temperature protection. Etc.
Size(mm)	339W*565H*172. 5D(mm)
Weight	15.5kg
Topology	Transformerless
DC Switch	Optional
Internal consumption	<1W(Night)
Running temperature	-25~60°C
Ingress protection	IP65
Interface	RS485 WIFI GPRS(Optional)
Design lifetime	>20years
Operating Range Utility Frequency	47-52 or 57-62Hz(adjustable)
Utility Monitoring	Islanding protection $V_{AC}$ , $F_{AC}$ in accordance with UL 1741, G59/3, AS4777, VDE 0126-1-1
Operation Surroundings Humidity	0~95%
Noise emission(typical)	<30 dBA
EMC	EN61000-6-1:2007 EN61000-6-3:2007

# 9. Specifications

Model	Solis-5K-2G
The max DC input voltage	600Vdc
MPPT operation range	100~500Vdc
The max DC input current	15+15A <sub>dc</sub>
Number of MPPT /strings per MPPT	2/1
Rating output power	5kW
The transient max power	5kW
Rating grid voltage	230Vac
The grid voltage range	180~270Vac(adjustable)
Operation phase	Single phase
Rating grid output current	21.7A
Output power factor	>0.99
Grid current THD	<4%(Total THd)
The DC injection current	<20mA
Rating grid frequency	50/60Hz
Efficiency	>97%
Protection	DC reverse-polarity protection; AC short circuit protection; islanding protection; temperature protection. Etc.
Size(mm)	339W*565H*172. 5D(mm)
Weight	15.5kg
Topology	Transformerless
DC Switch	Optional
Internal consumption	<1W(Night)
Running temperature	-25~60°C
Ingress protection	IP65
Interface	RS485 WIFI GPRS(Optional)
Design lifetime	>20years
Operating Range Utility Frequency	47-52 or 57-62Hz(adjustable)
Utility Monitoring	Islanding protection $V_{AC}$ , $F_{AC}$ in accordance with UL 1741, G59/3, AS4777, VDE 0126-1-1
Operation Surroundings Humidity	0~95%
Noise emission(typical)	<30 dBA
EMC	EN61000-6-1:2007 EN61000-6-3:2007