

ST5000TL/6000TL/7000TL/8000TL



Features

- Transformerless with the three level Topology
- Max efficiency up to 98.3%
- Dual MPPT inputs accommodating wide voltage range
- Compact structure design

Flexibility

- Indoors and outdoors usage (IP65)
- Easy installation and free maintenance
- RS485/WiFi(optional)communication
- Multi-lingual display with large LCD screen

Reliability

- Reliable protection for over/under voltage, antiislanding,short circuit, overload, etc.
- 5-year quality warranty extends to 15 years(optional) exclusively
- Comply with EN62109-1,EN62109-2,VDE0126-1-1, VDE-AR-N-4105 IEC61727:2004,IEC62116:2014,C10/C11:2012 etc.

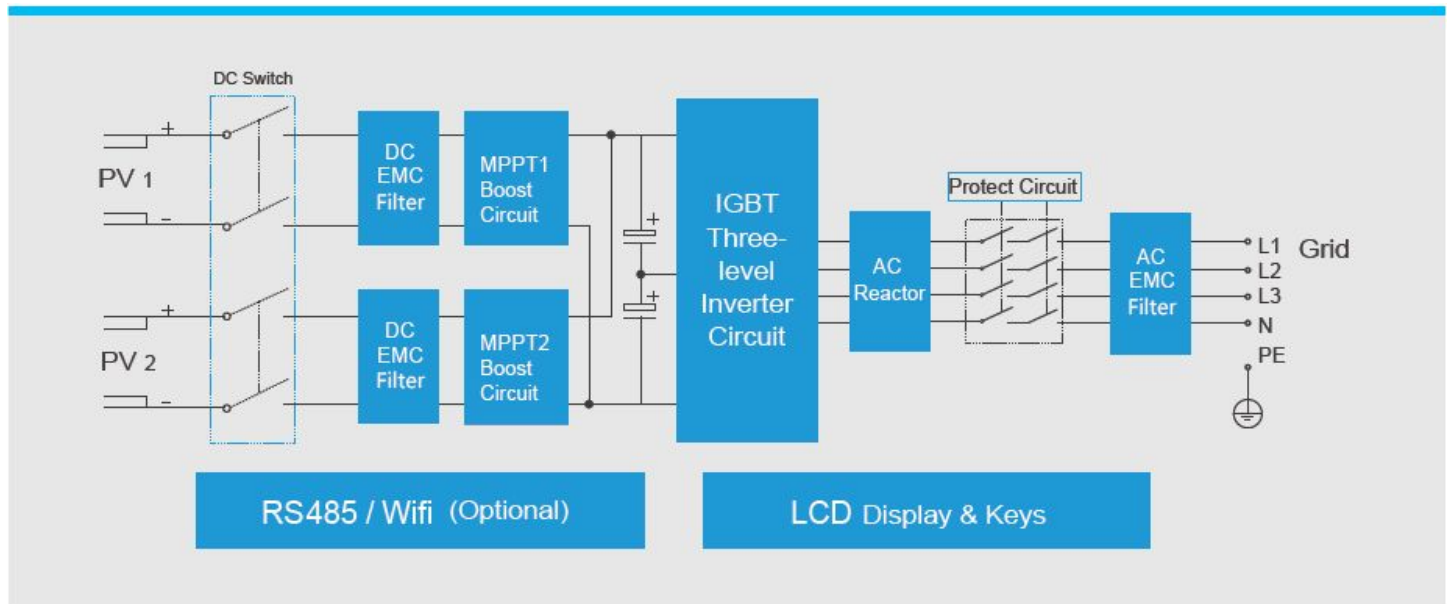


Solar Town™ Series

Solar Town (Brief in ST) Series provide string inverters with the three level topology, also, we can customize to provide more optional choices for PV power systems.

ST series has been proved to be outstanding for its features like leading edge efficiency, high cost-effective, modern appearance, friendly interface, and ultra-long quality warranty, etc.

DIAGRAM



Technical Data

Inverter Model	ST5000TL	ST6000TL	ST7000TL	ST8000TL
Input (DC)				
Recommend Max DC power (@cosφ=1)	5150W	6200W	7250	8300
Max DC voltage	1000V	1000V	1000V	1000V
Full load MPPT Voltage Range /Rated Voltage	250~800V/610V	280~800V/610V	300~800V/610V	330~800V/610V
Start up voltage / on-grid voltage	160V/200V	160V/200V	160V/200V	160V/200V
Max input current input A/input B	13A/13A	13A/13A	13A/13A	13A/13A
Number of MPP trackers /Strings per tracker	2/2	2/2	2/2	2/2
Output (AC)				
AC nominal power(@230V,50HZ)	5000W	6000W	7000W	8000W
Max nominal apparent power	5000VA	6000VA	7000VA	8000VA
Nominal AC voltage	3/N/PE;220/380V	3/N/PE;220/380V	3/N/PE;220/380V	3/N/PE;220/380V
	3/N/PE;230/400V	3/N/PE;230/400V	3/N/PE;230/400V	3/N/PE;230/400V
	3/N/PE;240/415V	3/N/PE;240/415V	3/N/PE;240/415V	3/N/PE;240/415V
AC voltage range	176~264V	176~264V	176~264V	176~264V
AC grid frequency	50HZ/60HZ	50HZ/60HZ	50HZ/60HZ	50HZ/60HZ
Max output current	8A	9.6A	11.2A	12.8A
Rated power factor	1	1	1	1
Power factor(adjustable)	0.8leading~0.8lagging			
Harmonics(THD)	< 3%	< 3%	< 3%	< 3%
Efficiency				
Max efficiency	98.5%	98.5%	98.6%	98.6%
Euro efficiency	98.1%	98.1%	98.3%	98.3%
MPPT efficiency	99.9%	99.9%	99.9%	99.9%
General data				
Dimensions (W / H / D)	435/582.5/191.5mm	435/582.5/191.5mm	435/582.5/191.5mm	435/582.5/191.5mm
Weight	24KG	24KG	24KG	24KG
Operating temperature range	-25°C ~60°C	-25°C ~60°C	-25°C ~60°C	-25°C ~60°C
Degree of protection (according to IEC 60529)	IP65	IP65	IP65	IP65
Climatic category (according to IEC 60721-3-4)	4K4H	4K4H	4K4H	4K4H
Internal consumption: (night)	< 1W	< 1W	< 1W	< 1W
Cooling concept	Fan	Fan	Fan	Fan
Noise (typical)	< 50 db	< 50 db	< 50 db	< 50 db
Screen display	LCD			
Humidity	0-100%,non-condensing			
Communication (RS485/WiFi)	Yes/Opt.	Yes/Opt.	Yes/Opt.	Yes/Opt.
Warranty (5 / 10 / 15 years)	Yes/Opt./Opt.	Yes/Opt./Opt.	Yes/Opt./Opt.	Yes/Opt./Opt.